

Customer Notification

B-CN-348-EN REV A

March 6, 2024

SUBJECT: TT and VT Series Compressor Packaging

Purpose

This is to inform our customer that we now offer compressor packaging kits for our TT and VT Series compressors. The kits include the pallet, foam, and protective box covering. They can be purchased to be used whenever there is a need to ship the compressor.

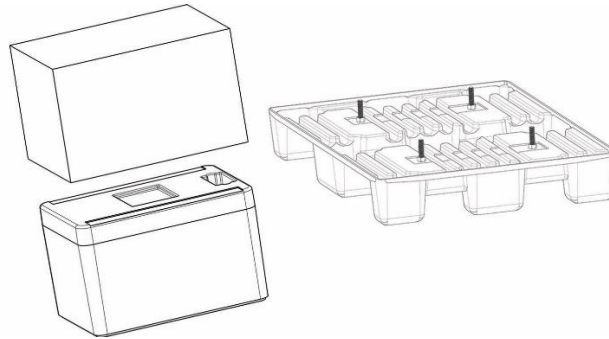


Figure 1 – Sample Compressor Packaging

Summary

We now offer compressor packaging as a spare part kit. These kits can be purchased whenever a Turbocor® compressor needs to be shipped and the original packaging is not available.

Action Required

Refer to the table below when ordering a compressor packaging kit.

Description	Part No.	Applies To
TTS & TGS Compressor Packaging	199K0000	All TTS & TGS Compressors
TTH & TGH Compressor Packaging	199K0001	All TTH & TGH Compressors
VTT Compressor Packaging	199K1000	All VTT Compressors
VTX Compressor Packaging	199K2000	All VTX Compressors

Need Assistance

For further questions, please contact your Key Account Manager or our Product Support group at turbocor.ps.na@danfoss.com or turbocor.ps.eu@danfoss.com for inquiries within Europe.