

Customer Notification

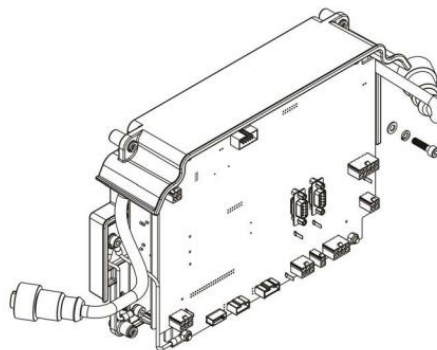
B-CN-284-EN Rev A

June 14, 2022

SUBJECT: VT Series Service Electronics Obsolescence

Purpose

The purpose of this bulletin is to notify our customers that we are obsoleting one of our VT Series Service Electronics kits. The kit part number to be obsoleted is **110109**.



In our previous revision VT Series Spare Parts Book, we listed kit 110109 for VTT1200 compressors and 110109-1 for VTX1600 compressors. These two (2) different versions of Service Electronics were offered to accommodate two (2) different versions of firmware.

The same Service Electronics can be used on both VTT and VTX compressors; therefore, two (2) different Service Electronics kits are no longer required.

Summary

We will be obsoleting Service Electronics kit 110109. Now, kit 110109-1 can be ordered for either the VTT1200 or the VTX1600 compressors. The latest production firmware will be installed prior to shipment.

Action Required

Order the **Service Electronics kit 110109-1** for any VT Series compressor.

As a result of this change, the VT Series Spare Parts Manual has been updated and released as Revision C.4. Please reference this manual going forward.

Need Assistance

For further information please contact your Key Account Manager or our Product Support Group at Turbocor.ps.na@danfoss.com.