

Customer Notification

B-CN-392-EN REV A

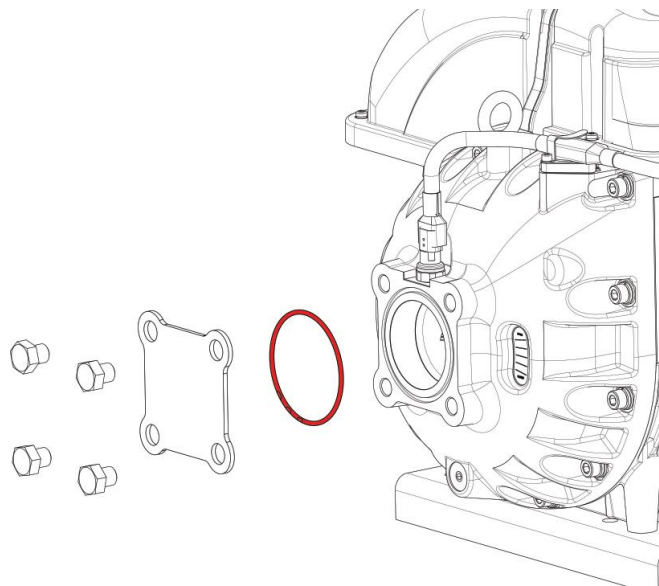
March 19, 2025

SUBJECT: Spare Part Kit 100555 Obsolescence

Purpose

This is to inform our customers that we have obsoleted one of our TTS/TGS compressor O-ring kits.

Kit 100555 has been obsoleted. This kit contained only the suction port O-ring for all TTS/TGS Series compressors. If this O-ring is required, we offer a port O-ring kit that includes all the necessary port connections for our TTS/TGS compressors. The part number of this kit is 100329.



Action Required

Refer to the table below when any port O-rings are required for TTS/TGS compressors.

Part Number	Description	Notes
100329	O-RINGS, PORT CONNECTIONS	Includes O-rings for Cooling Adapter, Suction, Discharge, and Economizer ports

Need Assistance

For further questions, please contact your Key Account Manager or our Product Support group at turbocor.ps.na@danfoss.com or turbocor.ps.eu@danfoss.com for inquiries within Europe.