

Spare Parts Selection Guide - Revision H

# Danfoss Turbocor® Twin-Turbine Centrifugal Compressors

TT Series Compressors



**THIS PAGE INTENTIONALLY LEFT BLANK**

## Table of Contents

<b>Table of Contents</b> .....	<b>3</b>
<b>Chapter 1.0 Introduction</b> .....	<b>11</b>
1.1 Organization .....	11
1.2 PDF Navigation .....	11
1.3 Nomenclature .....	11
<b>Chapter 2.0 External Components</b> .....	<b>15</b>
2.1 Compressor Controller Cable Harness .....	19
2.2 Cooling Adapter .....	20
2.3 Housing End Cap .....	21
2.4 Second Stage Housing .....	22
2.5 Interstage Pipe .....	23
2.6 Miscellaneous Items .....	24
<b>Chapter 3.0 IGV End Assembly</b> .....	<b>27</b>
3.1 IGV Drive Assembly .....	28
3.2 IGV Housing .....	29
3.3 IGV Throat .....	30
3.4 IGV Worm Gear and Motor .....	31
3.5 Pressure Temperature Sensor Suction .....	32
3.6 Hermetic Feedthrough IGV 4 Pin .....	33
<b>Chapter 4.0 Top Side</b> .....	<b>35</b>
4.1 Top Cover .....	37
4.2 Mains Input Cover .....	38
4.3 Soft Start SCR Gate Cable .....	39
4.4 Cable Harness Soft Start AC/DC .....	40
4.5 Inverter .....	42
4.6 Driver Board .....	43
4.7 Motor Bus Bar Assembly Connectors .....	44
4.8 Tube Connection to Inverter .....	45
4.9 Cover Plate Assembly .....	46
4.10 Hermetic Feedthrough High Power .....	47
4.11 DC-DC Converter .....	48
4.12 Mains Input Bracket and Grounding Stud .....	49
4.13 Terminal Block Assembly .....	50
4.14 Soft Start Assembly .....	51

---

4.15 Soft Start Fuses .....	53
4.16 Pressure Temperature Sensor Discharge .....	54
4.17 Silicone-Controlled Rectifiers (SCRs) .....	55
4.18 Bus Bar .....	56
4.19 Snubber Capacitors .....	57
4.20 SCR Heatsink Assembly .....	58
<b>Chapter 5.0 Capacitor Side .....</b>	<b>61</b>
5.1 Capacitor Cover .....	62
5.2 Bus Bar and Capacitor Assembly .....	63
<b>Chapter 6.0 Service Side .....</b>	<b>65</b>
6.1 Cover .....	66
6.2 Pulse Width Modulation (PWM) Module .....	67
6.3 Bearing Motor Compressor Control (BMCC) Module .....	68
6.4 Serial Driver .....	69
6.5 Rear/ Front Bearing Sensor Cable Harness .....	70
6.6 Backplane Assembly .....	71
6.7 DC Supply Cable Harness .....	72
6.8 Motor Drive (Inverter to Backplane) Cable Harness .....	73
6.9 Service Side Beneath Backplane .....	74
6.10 Compressor Cooling Cable and Coil Assembly .....	75
6.11 6 Pin Hermetic Feedthrough .....	76
6.12 Cavity Temperature Sensor/Motor Rotor .....	77
6.13 4-Pin Hermetic Feedthrough .....	78
6.14 9-Pin Hermetic Feedthrough .....	79
6.15 Cooling Valves Assembly .....	80
6.16 Cooling Valves .....	81
6.16.1 Orifice Body .....	82
6.16.2 Plunger Assembly .....	84
6.17 Pressure Regulating Valve .....	85
<b>Appendix A Test Equipment .....</b>	<b>87</b>
A.1 DC Bus Test Harness .....	87
A.2 Compact Inverter Tester .....	87
<b>Appendix B Accessory Kits .....</b>	<b>89</b>
B.1 I/O Board Assembly .....	89
B.2 Compressor Interface Cable .....	90

---

B.3 Rubber Mounts .....	91
B.4 End Cap Insulation .....	92
B.5 Line Reactors .....	95
B.6 Flanges .....	97
<b>Appendix C Obsoleted Kit Reference .....</b>	<b>105</b>

**THIS PAGE INTENTIONALLY LEFT BLANK**

## List of Changes

Revision	Date	Page	Description of Change
F.5	8-13-2021	63	Added 575V Capacitor option / Combined TTS350 and TTS400 tables
		16	Updated last table
F.6	1-19-2022	71	Corrected Backplane description
		81	Updated Cooling Valve Section, Replaced Cooling Valve assembly PNs
		89	Obsoleted EMI filter 901666
		91	Obsoleted Line Reactors 901453, 901974, and 901975
		96	Replaced image for Suction Flange
F.7		86	Removed the Portable Training Simulator
		Appendix C	Updated the Recently Obsoleted Kit Reference section
G	1-17-2023	All Pages	Added TGS380 and TTS450 compressor references throughout this manual as required Reformatted tables to clarify the compressor models that each kit APPLIES TO
G.1	1-20-2023	23	Corrected part number for P/T Discharge sensor
H	5-11-2023	58	Corrected callout number for 100309-8 kit Added new SCR Cooling Manifold (100309-15) description and image Removed TGS380/TTS450 from kit 100309-9 application
H	5-11-2023	104	Removed TGS380 from the application for kit 100450-1
H	6-5-2023	51	Updated Soft Start image to include only the Open-Frame design
H	7-6-2023	Appendix B	Added new Compressor Interface Cable kit 100058-5 Moved all Interface Cable kits to Appendix B
H	7-6-2023	Appendix B	Moved I/O Board Assembly to Appendix B
H	6-6-2023	48	Added new DC-DC Fuse kit 100084
H	6-6-2023	62	Added new Capacitor Membrane kit 100122
H	6-6-2023	23/54	Updated P/T sensor from P/N 100037-1 to 100037-2

**THIS PAGE INTENTIONALLY LEFT BLANK**



---

## Proprietary Notice

Copyright, Limitations of Liability and Revision Rights.

This page contains proprietary information to Danfoss LLC. This publication is protected under the Copyright laws of the United States of America (USA) and most other countries. This work is owned by Danfoss LLC, and was published as of the most recent revision of this publication, as indicated on the Title page of this document. This document is for the use Danfoss LLC customers and prospective customers only. Any use beyond that is prohibited.

Tests have demonstrated that equipment produced according to the guidelines provided in this manual will function properly, however Danfoss LLC cannot guarantee the equipment to work in every physical, hardware or software environment.

The guidelines provided in this manual are provided "AS-IS" without any warranty of any kind, either express or implied, including, without limitation, any implied warranties of condition, uninterrupted use, merchantability, fitness for a particular purpose.

In no event shall Danfoss LLC be liable for direct, indirect, special, incidental or consequential damages arising out of the manufacture, use, or the inability to manufacture or use information contained in this manual, even if advised of the possibility of such damages. In particular, Danfoss LLC is not responsible for any costs, including but not limited to those incurred as a result of lost profits or revenue, loss of damage or equipment, loss of computer programs, loss of data, the costs to substitute these, or any claims by third parties. In any event, the total aggregate liability for all damages of any kind and type (regardless of whether based in contract or tort) of Danfoss LLC, shall not exceed the purchase price of this product.

Danfoss LLC reserves the right to revise the publication at any time and to make changes to its contents without prior notice or any obligation to notify former or present users of such revisions or changes.

Danfoss Turbocor Compressors Inc.  
1769 East Paul Dirac Drive  
Tallahassee, Florida 32310  
USA  
Phone 1-850-504-4800  
Fax 1-850-575-2126  
<http://turbocor.danfoss.com>

**Encounter an error or see an opportunity for improvements while reading this manual? Email us at [turbocor.contact@danfoss.com](mailto:turbocor.contact@danfoss.com) with a brief description.**

\* Subject to change without notice.

\* Danfoss Turbocor's commitment to excellence ensures continuous product improvements.

**THIS PAGE INTENTIONALLY LEFT BLANK**

---

## Chapter 1.0 Introduction

### 1.1 Organization

The TT Series Spare Parts Manual is organized in a top-down manner. Sections include External Components, Top Side, Discharge Side, and Service Side. Spare part kits are differentiated using compressor major revision and part number, which can be found on your compressor's name plate. Refer to the product nomenclature on the following page to determine which major revision your compressor falls under. Knowing the major revision, part number, voltage, and electronics type of your compressor are essential to using this document effectively.

### 1.2 PDF Navigation

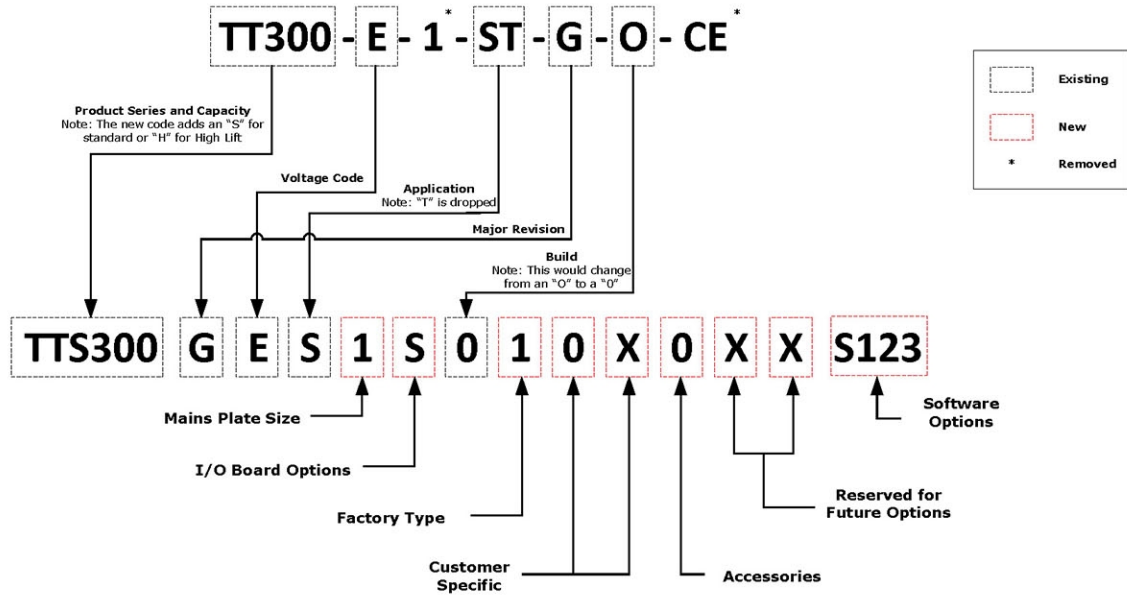
This document contains PDF hyperlinks for easy navigation. Clicking on items in the table of contents, or any blue hyperlink text will take you to the page it references.

### 1.3 Nomenclature

As of May 6, 2019, the product nomenclature changed. The following two illustrations provide examples of the two different formats. Additionally, the "Series" indicators have an additional character in order to differentiate the standard compressors from high-lift compressors. Unless the compressor is a high-lift design, an "S" will be added (e.g., TTS350). A high lift compressor will have an "H" in the Series designation (e.g., TTH375).

Figure 1-1 Conversion from Old Code to New Code

## Conversion From Old Code to New Code



### Type Code Definition

**Product Series and Capacity**

TTS300: TT Series 300 Aero Config  
 TTS350: TT Series 350 Aero Config  
 TTS400: TT Series 400 Aero Config  
 TTS500: TT Series 500 Aero Config  
 TTS700: TT Series 700 Aero Config  
 TGS230: TG Series 230 Aero Config  
 TGS310: TG Series 310 Aero Config  
 TGS390: TG Series 390 Aero Config  
 TGS520: TG Series 520 Aero Config  
 TTH375: TT High Lift Series 375 Aero Config  
 TGH285: TG High Lift Series 285 Aero Config

**Major Revision**

E: Major Revision E  
 F: Major Revision F  
 G: Major Revision G

**Voltage Code**

E: 380V/50Hz  
 D: 380V/60Hz  
 H: 400V/50Hz  
 J: 400V/60Hz  
 G: 460V/60Hz  
 F: 575V/60Hz

**Application**

S: Standard Application  
 M: Medium Temperature Application  
 J: Standard Temp KHK Listed  
 K: Medium Temp KHK Listed

**Mains Plate Size**

1: Mains Plate 2.00"  
 2: Mains Plate 2.48"  
 3: Mains Plate 3.00"  
 4: Mains Plate 3.50"

**I/O Board Option**

S: I/O Board included with 5m cable  
 M: No I/O Board, 5m cable Included

**Build**

0: New Compressor  
 C: Rebuilt Certified Compressor

**Factory Type**

1: TLH Factory (CE Rated)  
 2: HYN Factory (CH Rated)  
 3: TLH Factory (NC Rated)

**Customer Specific Configuration**

0: Gen Covers/Plate, EN/FR/CH

**Customer Engraved Nameplate**

X: No CPN (Standard)  
 Y: CPN on Nameplate

**Accessories Configuration**

0: No accessories

**Future Option**

X: Reserved  
 X: Reserved

**Software**  
 S123: Software Revision

Figure 1-2 TT and TG Product Nomenclature After May 6, 2019

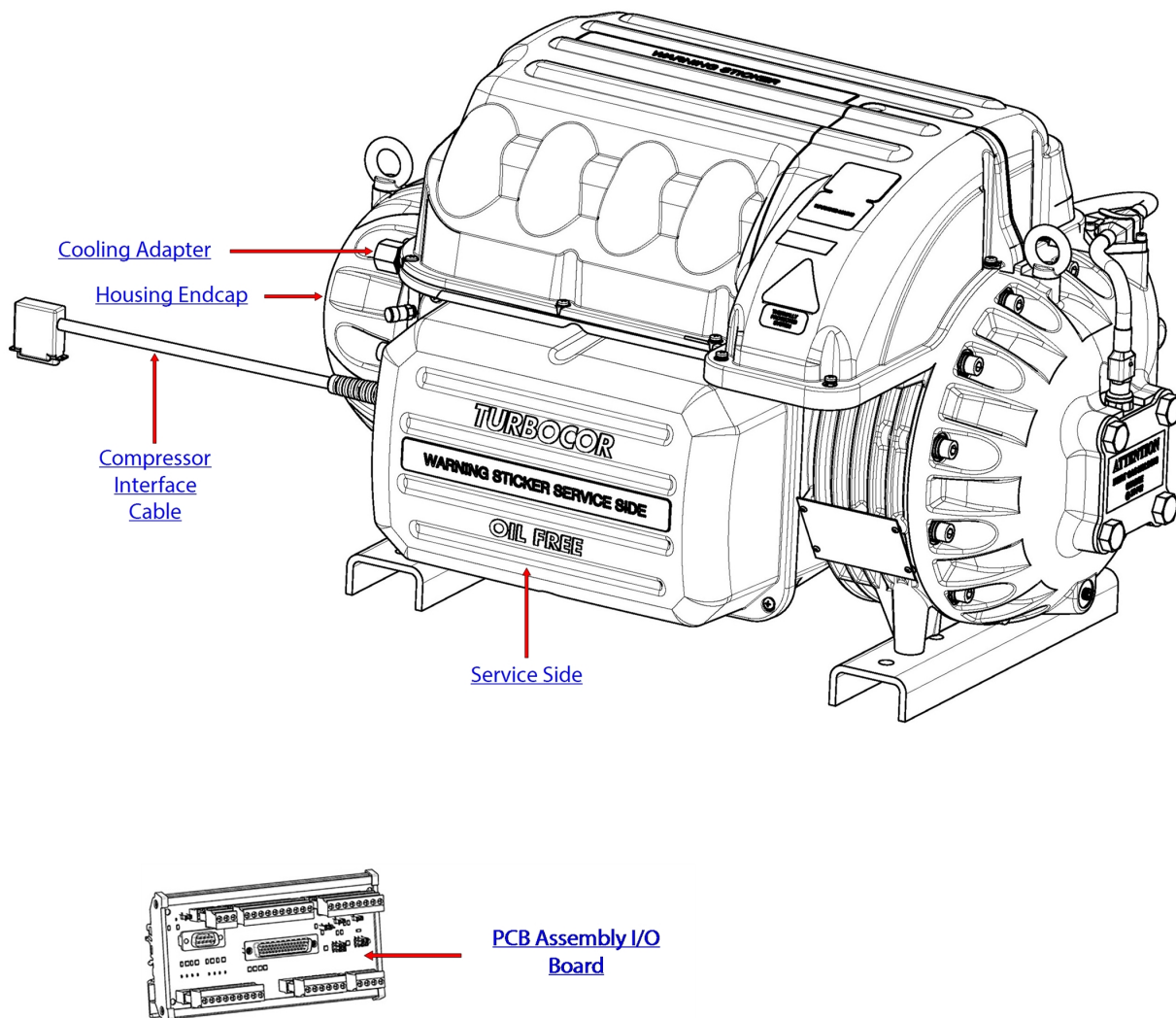
# Turbocor TT/TG Series Type Code

T T S 3 0 0	G	E	S	1	S	0	1	0	X	0	X	X	S	1	2	3					
1	2	3	4	5	6	7	8	9	10	11	12	13	14	15	16	17	18	19	20	21	22
<b>Product Series and Capacity (characters 1-6)</b>												<b>Software (character 19-22)</b>									
TTS300 : TT Series 300 Aero Config												S123 : Software Revision									
TTS350 : TT Series 350 Aero Config																					
TTS400 : TT Series 400 Aero Config																					
TTS450 : TT Series 450 Aero Config																					
TTS500 : TT Series 500 Aero Config																					
TTS700 : TT Series 700 Aero Config												<b>Future Option (character 18)</b>									
TGS230 : TG Series 230 Aero Config												X : Reserved									
TGS310 : TG Series 310 Aero Config																					
TGS380 : TG Series 310 Aero Config																					
TGS390 : TG Series 390 Aero Config												<b>Future Option (character 17)</b>									
TGS490 : TG Series 490 Aero Config												X : Reserved									
TGS520 : TG Series 520 Aero Config																					
TTH375 : TT High Lift Series 375 Aero Config												<b>Accessories Configuration (character 16)</b>									
TGH285 : TG High Lift Series 285 Aero Config												0 : No accessories									
<b>Major Revision (character 7)</b>												<b>Customer Engraved Nameplate (character 15)</b>									
E : Major Revision E												X : No CPN (Standard)									
F : Major Revision F												Y : CPN on Nameplate									
G : Major Revision G																					
H : Major Revision H																					
<b>Voltage Code (character 8)</b>												<b>Customer Specific Configuration (character 14)</b>									
E : 380V/50Hz												0 : Gen Covers/Plate, EN/FR/CH									
D : 380V/60Hz																					
H : 400V/50Hz																					
J : 400V/60Hz																					
G : 460V/60Hz												<b>Factory Type (character 13)</b>									
F : 575V/60Hz												1 : TLH Factory (CE Rated)									
												2 : HYN Factory (CH Rated)									
												3 : TLH Factory (ETL Rated Only)									
<b>Application (character 9)</b>												<b>Build (character 12)</b>									
S : Standard Application												0 : New Compressor									
M : Medium Temperature Application												C : Rebuilt Certified Compressor									
H : High Temperature Application																					
J : Standard Temp KHK Listed																					
K : Medium Temp KHK Listed																					
<b>Mains Plate Size (character 10)</b>																					
1 : Mains Plate 2.00 in																					
2 : Mains Plate 2.48 in																					
3 : Mains Plate 3.00 in																					
4 : Mains Plate 3.50 in																					
<b>I/O Board Option (character 11)</b>																					
S : RS232/RS485 I/O Brd - 5m Cable																					
M : 5m Cable and No I/O Board																					

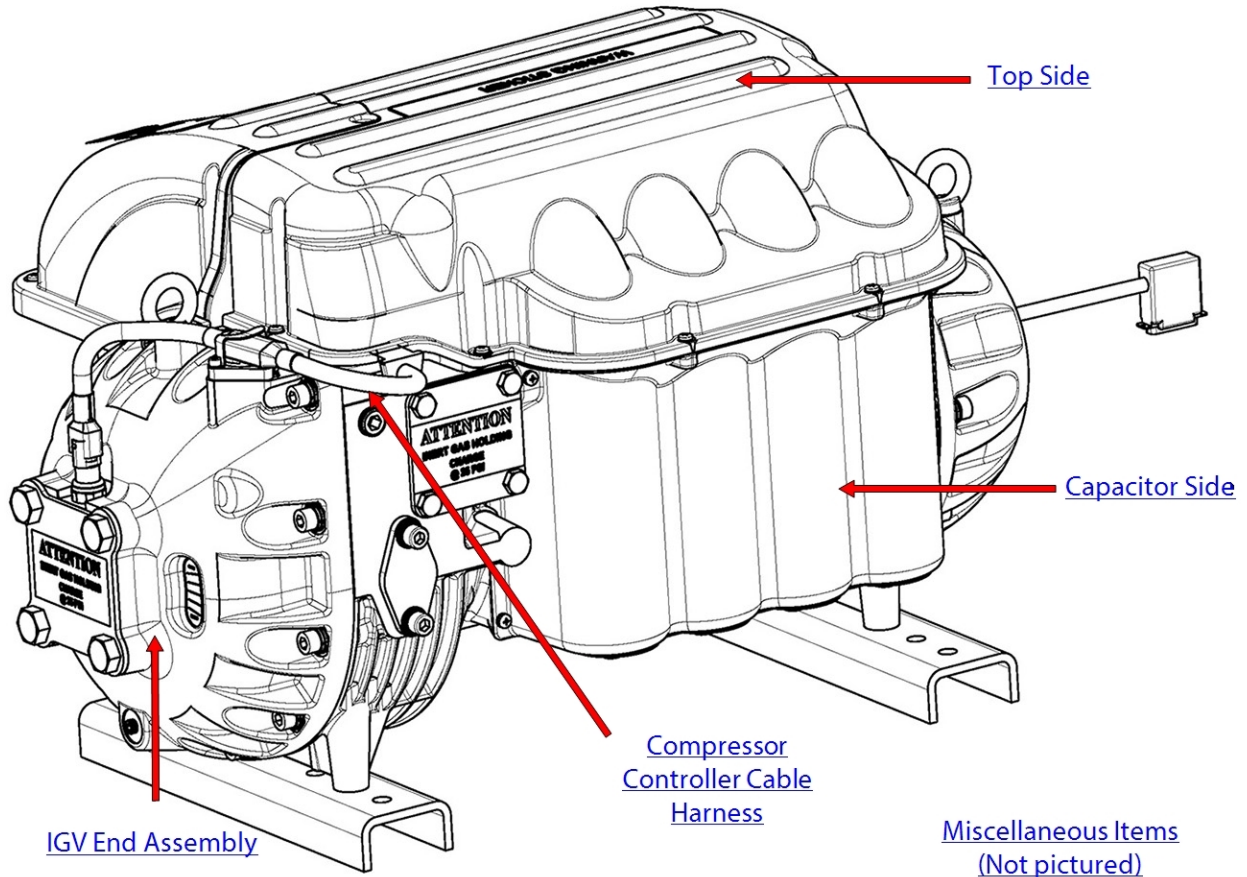
**THIS PAGE INTENTIONALLY LEFT BLANK**

Chapter 2.0 External Components

TTS/TGS Model

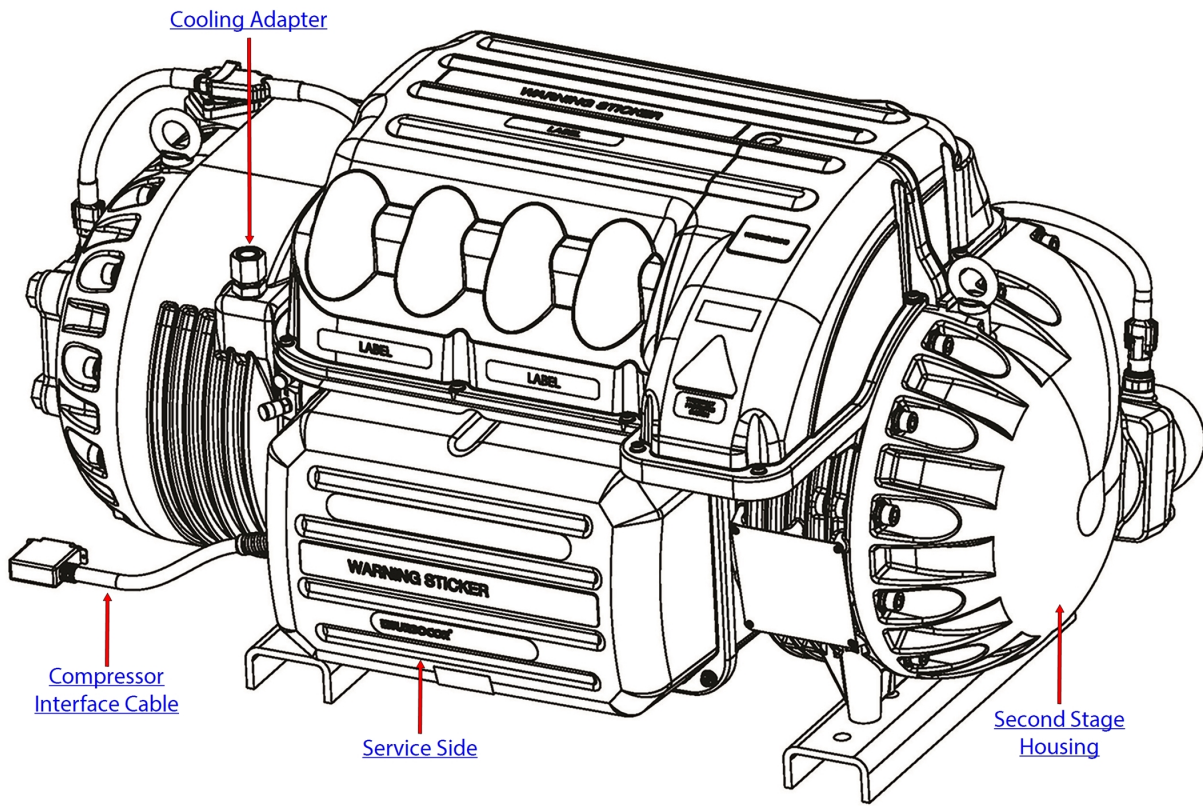


TTS/TGS Model

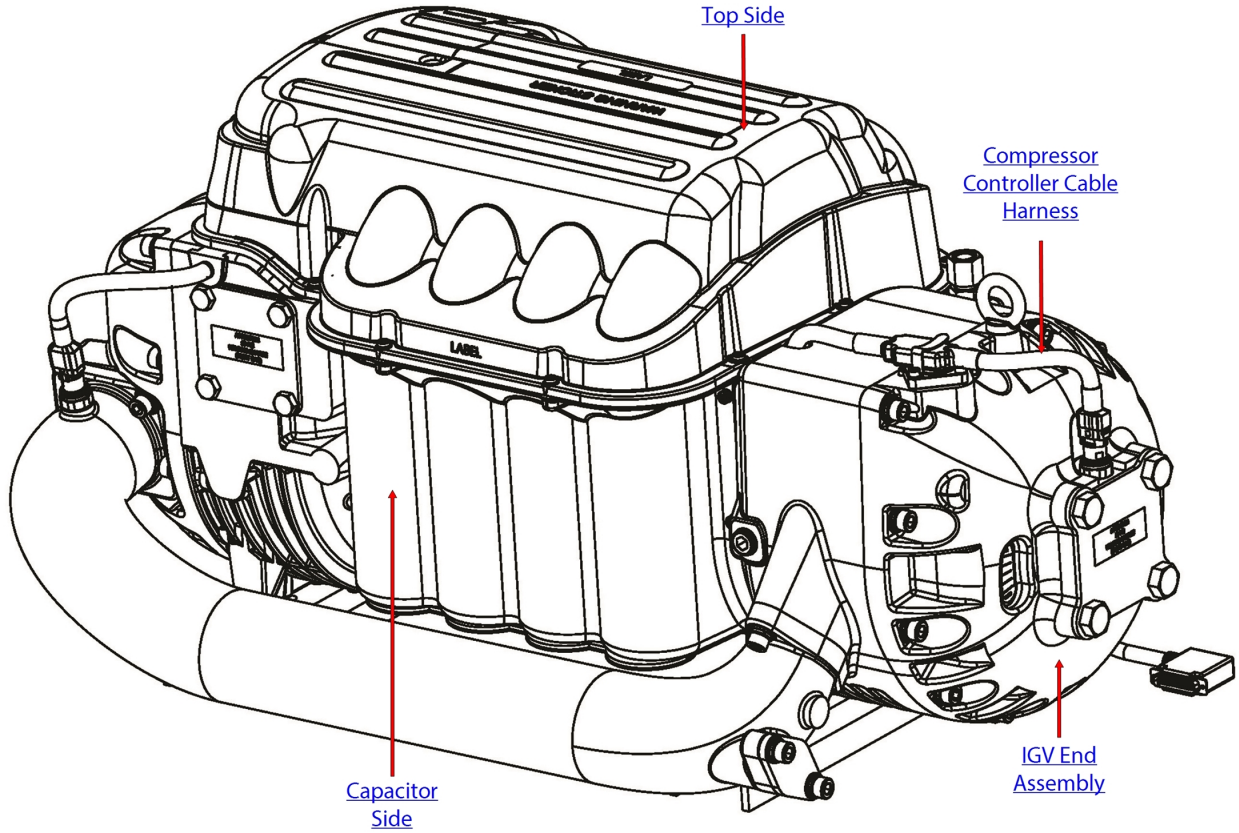




**TTH/TGH Model**

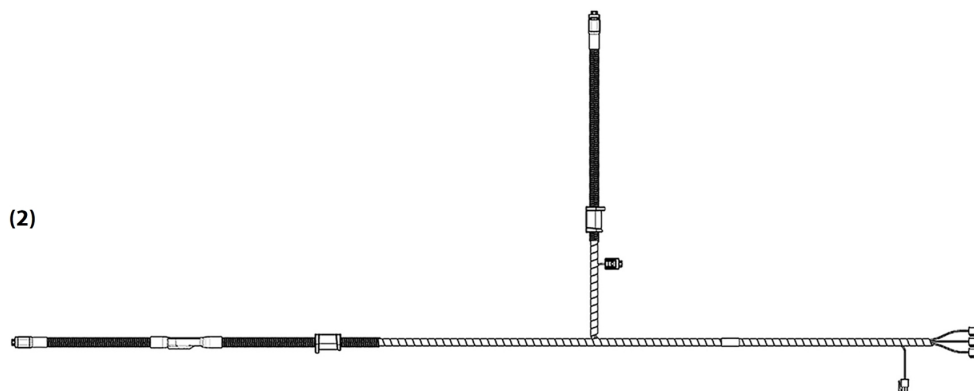
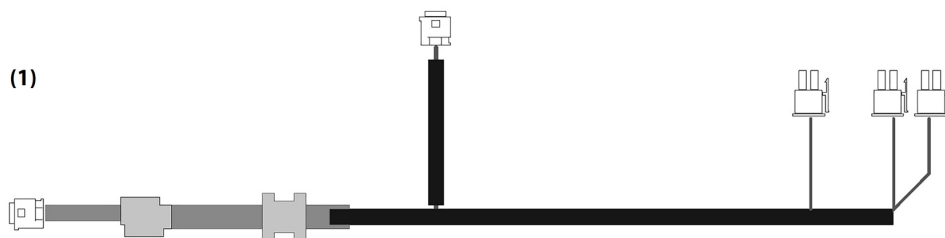


TTH/TGH Model



Miscellaneous Items (Not pictured)

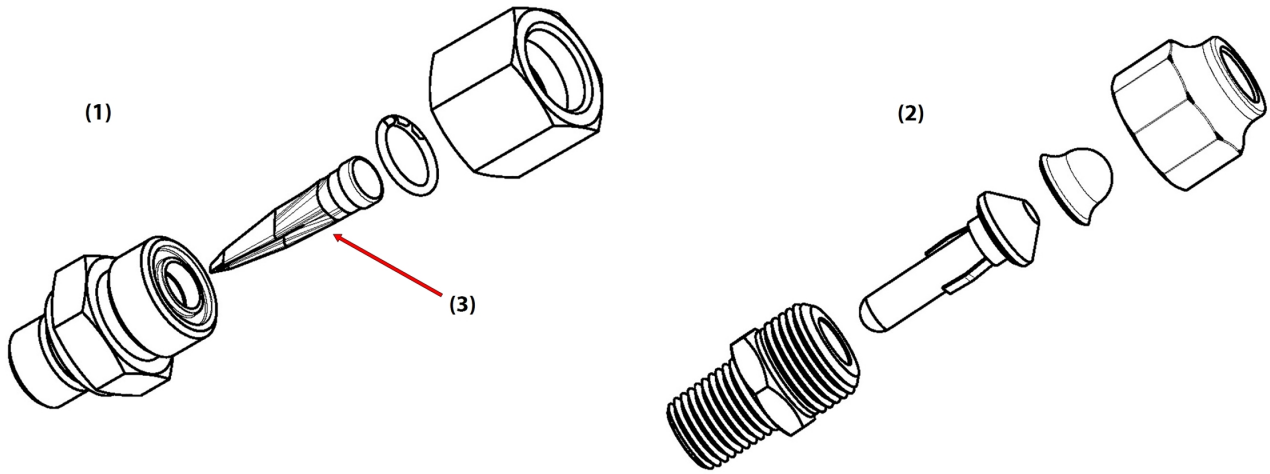
## 2.1 Compressor Controller Cable Harness



DESCRIPTION	PART NO.	APPLIES TO	MAJOR REV	COMMENT
(1) COMPRESSOR CONTROLLER CABLE HARNESS	100322-5	<ul style="list-style-type: none"> <li>TTS300/TTS350/TTS400/TTS450/TTS500/TTS700</li> <li>TGS230/TGS310/TGS380/TGS390/TGS490/TGS520</li> </ul>	ALL	Cable Only SCR Temperature Sensor connection is no longer available

DESCRIPTION	PART NO.	APPLIES TO	MAJOR REV	COMMENT
(2) COMPRESSOR CONTROLLER CABLE HARNESS	100322-4	<ul style="list-style-type: none"> <li>TTH375/TGH285</li> </ul>	-F, -H	Cable Only

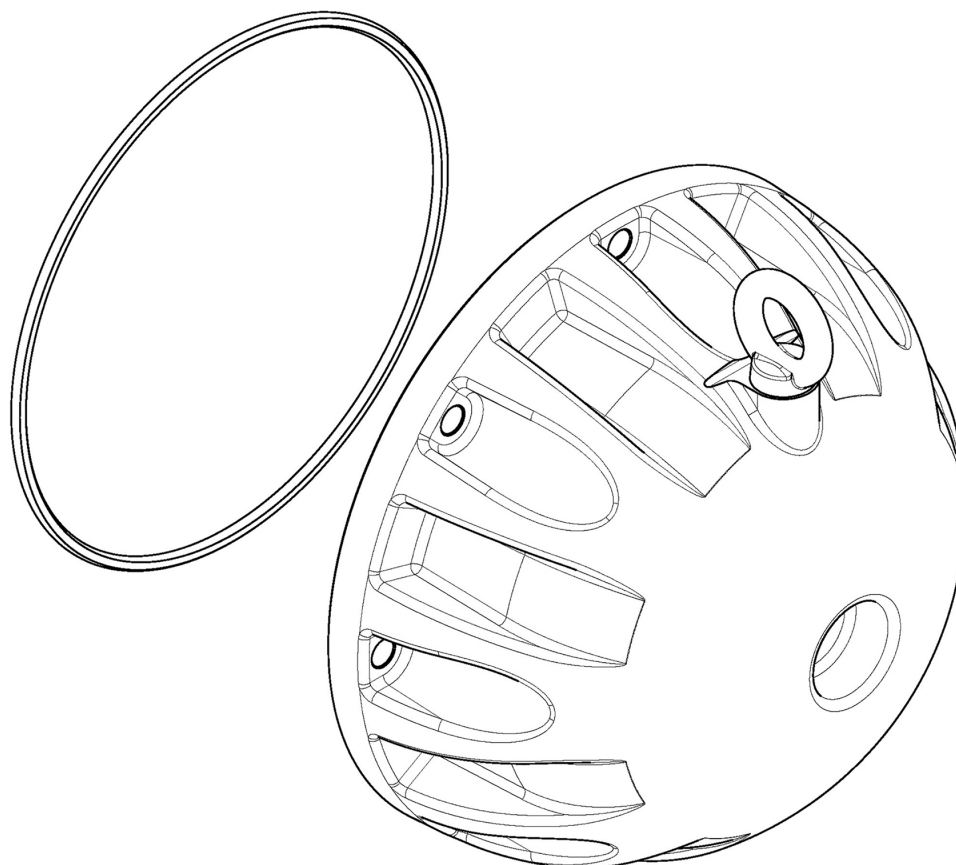
## 2.2 Cooling Adapter



DESCRIPTION	PART NO.	APPLIES TO	MAJOR REV	COMMENT
(1) COOLING ADAPTER W/SCREEN	100169-1	ALL COMPRESSORS	-E, -F, -G, -H	Contains O-rings and strainer Use if compressor part number ends in "-3"
(3) STRAINER FOR COOLING ADAPTER	100186-1	ALL COMPRESSORS	-E, -F, -G, -H	Replaces strainer and one external O-ring

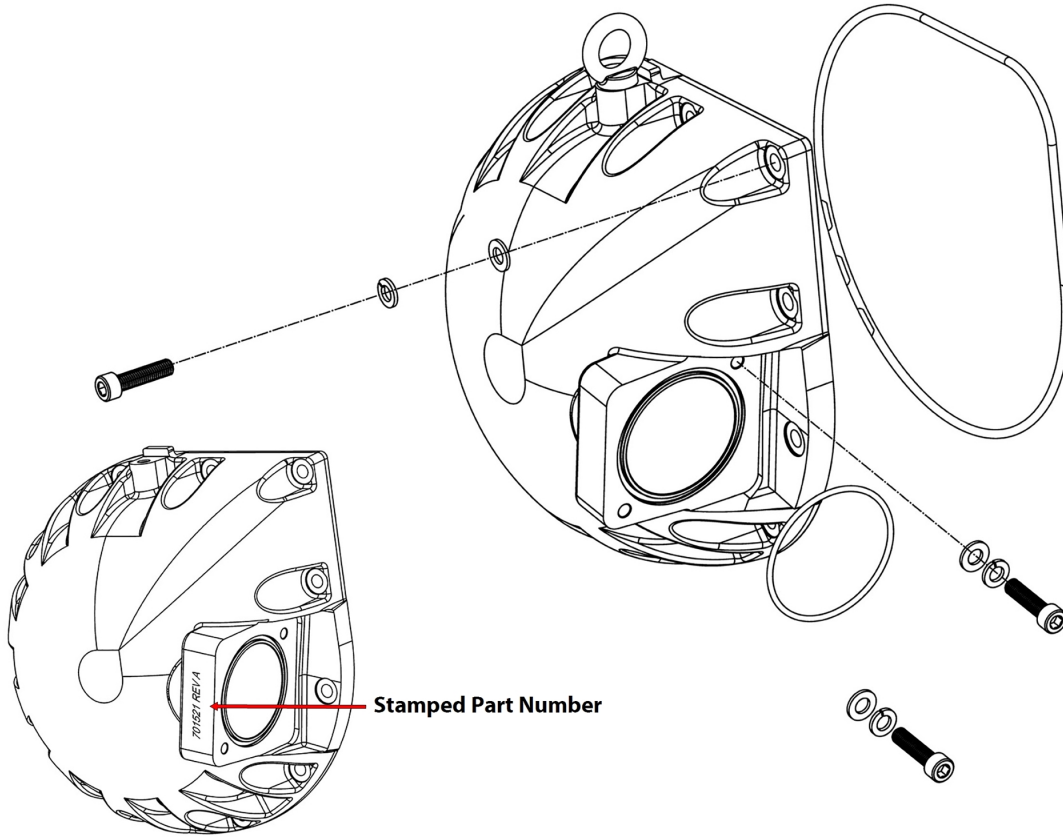
DESCRIPTION	PART NO.	APPLIES TO	MAJOR REV	COMMENT
(2) COOLING FITTING AND STRAINER	100215	<ul style="list-style-type: none"> <li>TTS300</li> </ul>	-N, -P, -C, -D	Do not use if compressor part number ends in "-3", includes strainer and nut

### 2.3 Housing End Cap



DESCRIPTION	PART NO.	APPLIES TO	MAJOR REV	COMMENT
END CAP ASSY	100324-2	<ul style="list-style-type: none"> <li>TTS300/TTS350/TTS400/TTS450/TTS500/TTS700</li> <li>TGS230/TGS310/TGS380/TGS390/TGS490/TGS520</li> </ul>	ALL	Contains eyebolt and O-ring
O-RING, END CAP	100352	<ul style="list-style-type: none"> <li>TTS300/TTS350/TTS400/TTS450/TTS500/TTS700</li> <li>TGS230/TGS310/TGS380/TGS390/TGS490/TGS520</li> </ul>	ALL	Replaces Endcap O-ring

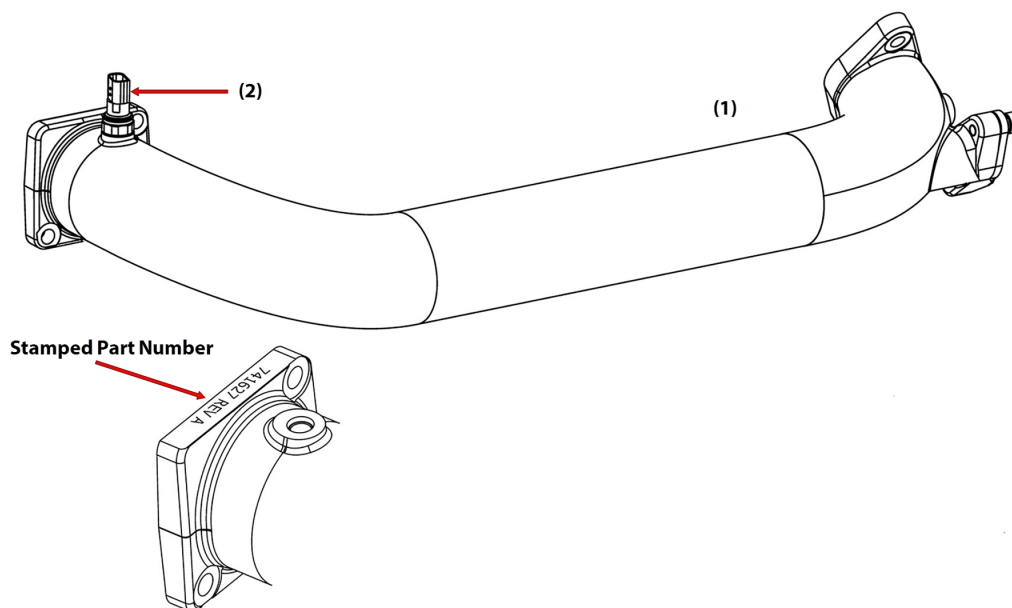
## 2.4 Second Stage Housing



It is important to determine the version of Second Stage Housing that is currently installed on the compressor in order to identify the correct part number. There are two variants of Second Stage Housing and Interstage pipe and they are not interchangeable. Refer to the stamped part number on the Second Stage Housing flange that mates to the Interstage Pipe. When replacing early revision Second Stage Housings, the Interstage Pipe will also need to be replaced.

DESCRIPTION	PART NO.	APPLIES TO	MAJOR REV	COMMENT
SECOND STAGE HOUSING	100706-3	<ul style="list-style-type: none"> <li>TTS375/TGH285</li> </ul>	-F, -H	For Second Stage Housing stamped part number 701521, also order kit 100703-3. For Second Stage Housing stamped part number 741630, no other kit is required. Contains eyebolt, O-rings, and mounting hardware.
O-RINGS, SECOND STAGE HOUSING	100706-2	<ul style="list-style-type: none"> <li>TTH375/TGH285</li> </ul>	-F, -H	Contains O-rings and fasteners for Second Stage Housing, Interstage Pipe, and Economizer

## 2.5 Interstage Pipe



It is important to determine the version of Interstage Pipe that is currently installed on the compressor in order to identify the correct part number. There are two variants of Second Stage Housing and Interstage pipe and they are not interchangeable. Refer to the stamped part number on the Interstage Pipe flange that mates to the Second Stage Housing. When replacing early revision Interstage Pipes, the Second Stage Housing will also need to be replaced.

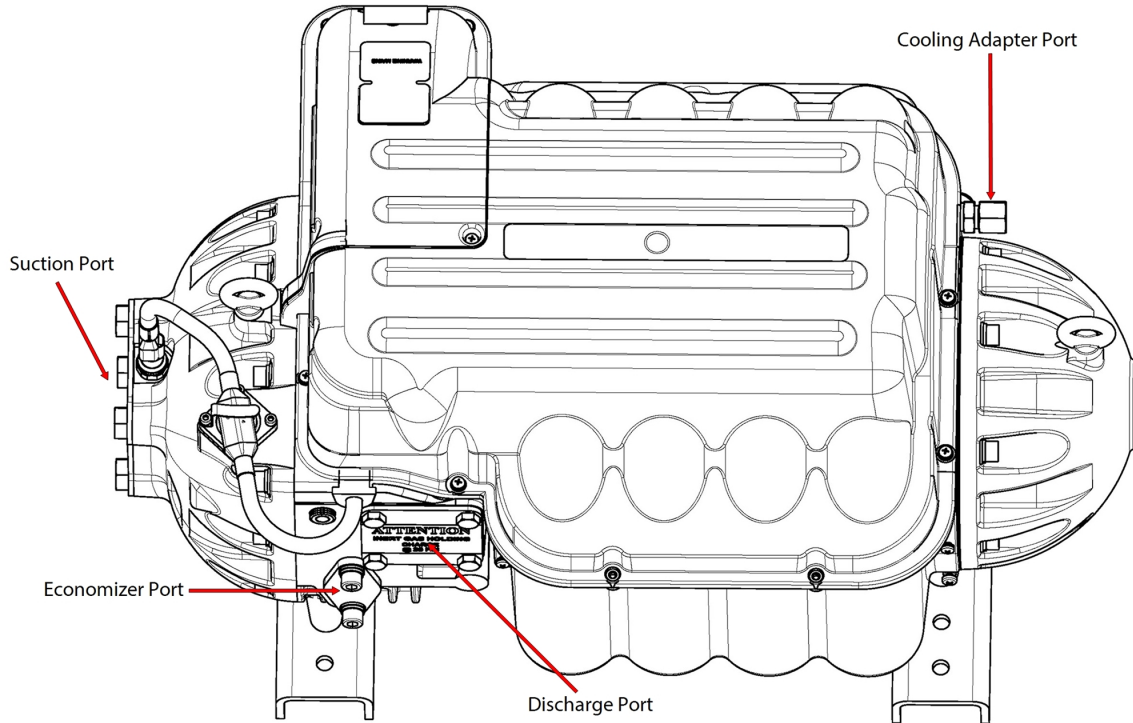
### NOTE

If the part number on the Interstage Pipe is not visible, verify the Second Stage Housing part number. If the Second Stage Housing is part number, 701521, then kits **100703-3** and **100706-3** need to be purchased. If the Second Stage part number is 741630, then purchase kit **100703-3**.

DESCRIPTION	PART NO.	APPLIES TO	MAJOR REV	COMMENT
(1) INTERSTAGE PIPE	100703-3	<ul style="list-style-type: none"> <li>TTH375/TGH285</li> </ul>	-F, -H	For Interstage Pipe stamped part number 741627, also order kit 100706-3. For Interstage Pipe stamped part number 741629, no other kit is required. Contains P/T Sensor, O-rings, and fasteners
(2) PRESSURE/TEMP SENSOR, DISCHARGE	100037-2	<ul style="list-style-type: none"> <li>TTH375/TGH285</li> </ul>	-F, -H	Marked with a red spot and a green spot, contains O-ring
O-RINGS, INTERSTAGE PIPE	100703-2	<ul style="list-style-type: none"> <li>TTH375/TGH285</li> </ul>	-F, -H	Contains O-rings for the Interstage Pipe and Economizer (includes fasteners)

## 2.6 Miscellaneous Items

### Port O-rings



DESCRIPTION	PART NO.	APPLIES TO	MAJOR REV	COMMENT
O-RINGS, PORT CONNECTIONS	100329	ALL COMPRESSORS	ALL	Includes O-rings for Cooling Adapter, Suction, Discharge, and Economizer ports
O-RING, SUCTION PORT	100555	ALL COMPRESSORS	ALL	Suction Port O-Ring only



Miscellaneous Items

Dielectric Grease



DESCRIPTION	PART NO.	APPLIES TO	MAJOR REV	COMMENT
DIELECTRIC GREASE, 1.25 FL OZ	901982	ALL COMPRESSORS	ALL	1.25 fl. oz. tube of Grease Only

Refrigerant Labels



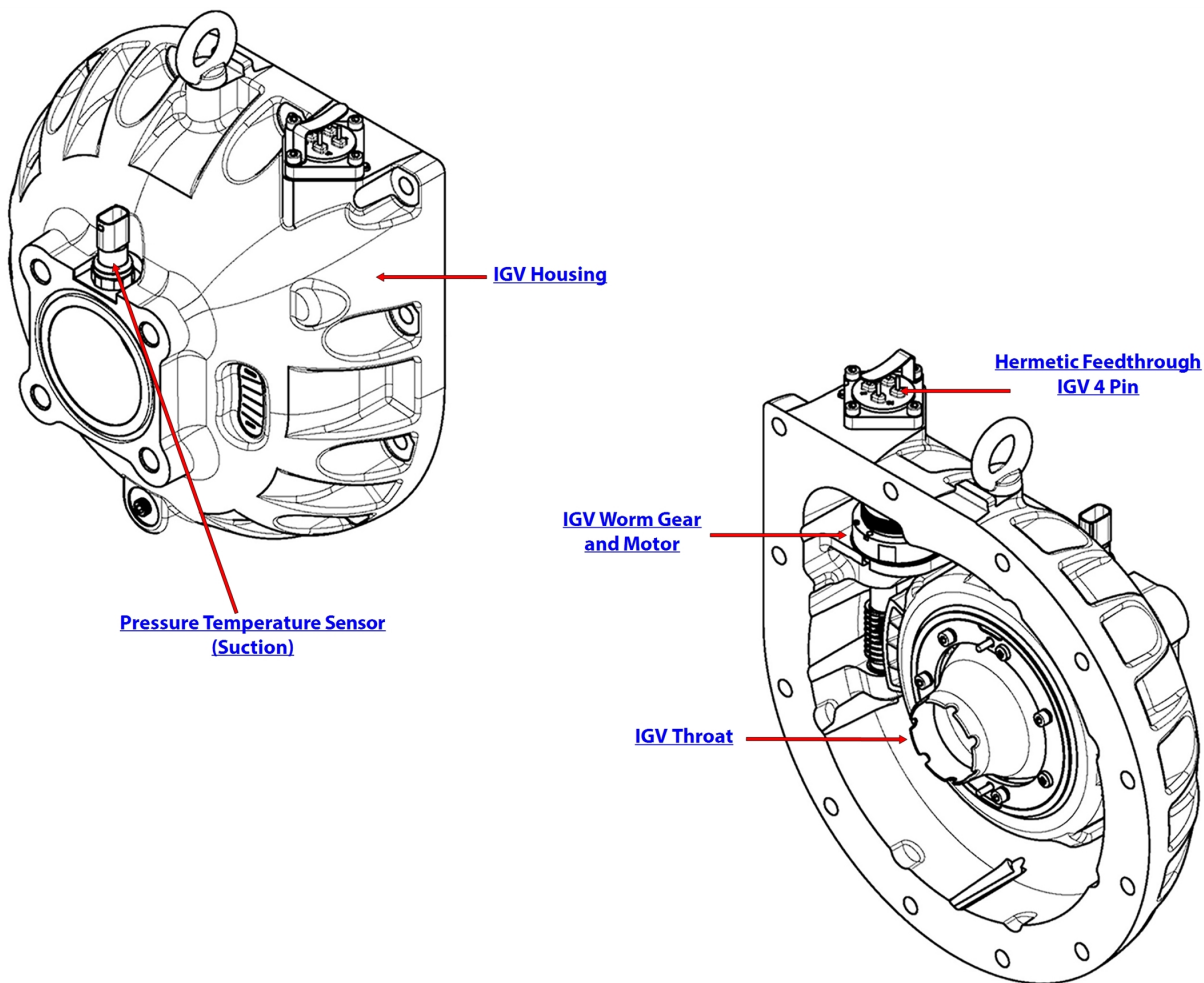
DESCRIPTION	PART NO.	APPLIES TO	MAJOR REV	COMMENT
R513A REFRIGERANT LABEL	100374	<ul style="list-style-type: none"> <li>TTS300/TTS350/TTS400/TTS500/TTS700</li> <li>TTH375</li> </ul>	-F, -G, -H	Includes 10 labels

**THIS PAGE INTENTIONALLY LEFT BLANK**

### Chapter 3.0 IGV End Assembly

The spare part kits available for the Inlet Guide Vanes (IGV) Drive assembly are detailed in this section. The IGV Drive Assembly and O-ring kits detailed on the following page replace the entire IGV assembly, including feedthrough, sensor, housing, throat, and motor.

#### IGV Drive Assembly



### 3.1 IGV Drive Assembly

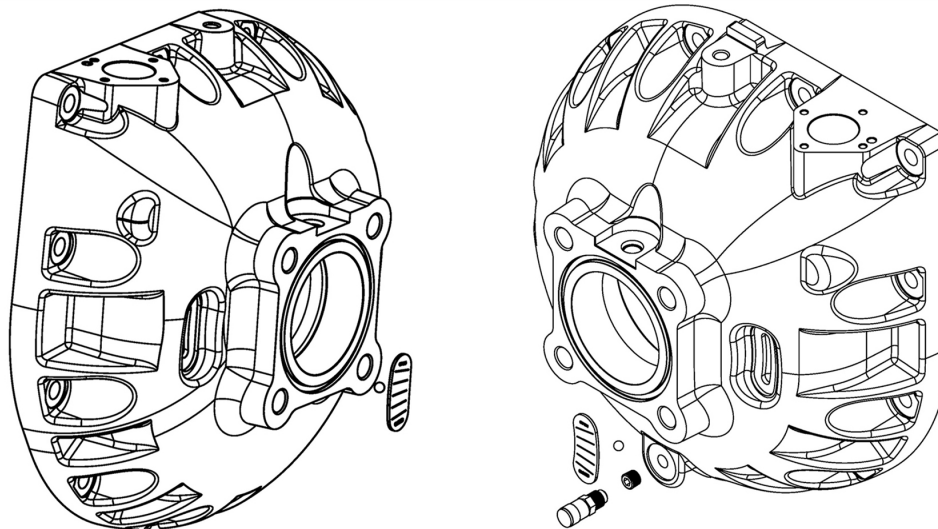
DESCRIPTION	PART NO.	APPLIES TO	MAJOR REV	COMMENT
IGV DRIVE ASSY, BLACK THROAT	100050-16	<ul style="list-style-type: none"> <li>TTS300</li> <li>TGS230</li> </ul>	-P, -C, -D, -E, -F, -G, -H	Fully assembled IGV with black IGV throat, includes O-rings and fasteners
IGV DRIVE ASSY, BLUE THROAT	100050-15	<ul style="list-style-type: none"> <li>TTS350</li> <li>TGS310</li> </ul>	-A, -E, -F, -H	Fully assembled IGV with blue IGV throat, includes O-rings and fasteners
IGV DRIVE ASSY, SILVER THROAT	100050-26	<ul style="list-style-type: none"> <li>TTS450</li> <li>TGS380</li> </ul>	-H	Fully assembled IGV with silver IGV throat, includes O-rings and fasteners
IGV DRIVE ASSY, GOLD THROAT	100050-17	<ul style="list-style-type: none"> <li>TTS400</li> <li>TGS390</li> </ul>	-C, -E, -F, -H	Fully assembled IGV with gold IGV throat, includes O-rings and fasteners
IGV DRIVE ASSY, SILVER THROAT	100050-25	<ul style="list-style-type: none"> <li>TGS490</li> </ul>	-F, -H	Fully assembled IGV with silver IGV throat, includes O-rings and fasteners
IGV DRIVE ASSY, STEEL THROAT	100050-18	<ul style="list-style-type: none"> <li>TTS500/TTS700</li> <li>TGS520</li> </ul>	-A, -E, -F, -H	Fully assembled IGV with steel IGV throat, includes O-rings and fasteners
IGV DRIVE ASSY, ORANGE THROAT	100050-19	<ul style="list-style-type: none"> <li>TTH375</li> <li>TGH285</li> </ul>	-F, -H	Fully assembled IGV with orange IGV throat, includes O-rings and fasteners

### 3.2 IGV Housing

The IGV Housing kits detailed here replace the IGV housing. The plug and indicator ball are pre-installed.

**NOTE**

The Worm Gear Extractor Tool 100246 is required.



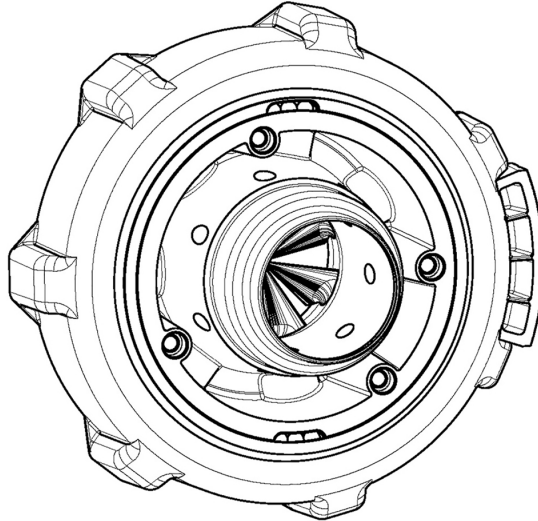
DESCRIPTION	PART NO.	APPLIES TO	MAJOR REV	COMMENT
IGV HOUSING, BARE	100223	<ul style="list-style-type: none"> <li>TTS300/ TTS350/TTS400/TTS450</li> <li>TGS230/TGS310/TGS380/TGS390</li> </ul>	All	Contains Housing, IGV indicator, plug
IGV HOUSING, BARE	100229	<ul style="list-style-type: none"> <li>TTS500/TTS700</li> <li>TGS520/TGS490</li> </ul>	All	Contains Housing, IGV indicator, plug
IGV HOUSING, BARE	100223-5	<ul style="list-style-type: none"> <li>TTH375/TGH285</li> </ul>	All	Contains Housing, plug, IGV indicator, O-rings, and fasteners
O-RING, IGV ASSY	100051-1	<ul style="list-style-type: none"> <li>TTS300/TTS350/TTS400/TTS500/TTS700</li> <li>TGS230/TGS310/TGS390/TGS490/TGS520</li> <li>TTH375/TGH285</li> </ul>	All	Includes O-rings for Suction, IGV Housing and IGV motor Feedthrough

### 3.3 IGV Throat

The IGV Throat kits detailed here replace the IGV Throat assembly.

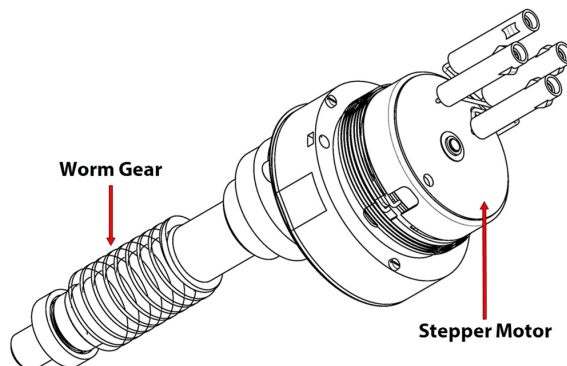
**NOTE**

The Worm Gear Extractor Tool 100246 is required.



DESCRIPTION	PART NO.	APPLIES TO	MAJOR REV	COMMENT
IGV THROAT, BLACK	100227	<ul style="list-style-type: none"> <li>TTS300</li> <li>TGS230</li> </ul>	-P, -C, -D, -E, -F, -G, -H	Contains IGV throat assembly-black, thin rim, O-rings and fasteners
IGV THROAT, BLUE	100228	<ul style="list-style-type: none"> <li>TTS350</li> <li>TGS310</li> </ul>	-A, -E, -F, -H	Contains IGV throat assembly-blue, O-rings and fasteners
IGV THROAT, SILVER	100392	<ul style="list-style-type: none"> <li>TTS450</li> <li>TGS380</li> </ul>	-H	Contains IGV throat assembly-silver, O-rings and fasteners
IGV THROAT, GOLD	100231	<ul style="list-style-type: none"> <li>TTS400</li> <li>TGS390</li> </ul>	-C, -E, -F, -H	Contains IGV throat assembly-gold, O-rings and fasteners
IGV THROAT, STEEL	100232	<ul style="list-style-type: none"> <li>TTS500/TTS700</li> <li>TGS520</li> </ul>	-A, -E, -F, -H	Contains IGV throat assembly-steel, O-rings and fasteners
IGV THROAT, SILVER	100261	<ul style="list-style-type: none"> <li>TGS490</li> </ul>	-F, -H	Contains IGV throat assembly-silver, O-rings and fasteners
IGV THROAT, ORANGE	100704	<ul style="list-style-type: none"> <li>TTH375</li> <li>TGH285</li> </ul>	-F, -H	Contains IGV throat assembly-orange, O-rings and fasteners

### 3.4 IGV Worm Gear and Motor

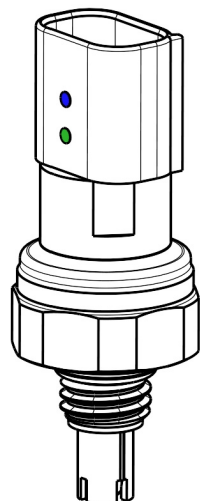


**NOTE**

The Worm Gear Extractor Tool 100246 is required.

DESCRIPTION	PART NO.	APPLIES TO	MAJOR REV	COMMENT
IGV WORM GEAR SHAFT REPAIR	100222	<ul style="list-style-type: none"> <li>TTS300/TTS350/TTS400/TTS450/TTS500/TTS700</li> <li>TGS230/TGS310/TGS380/TGS390/TGS490/TGS520</li> </ul>	ALL	Contains Worm Gear, Stepper Motor, Bearings, Collars, and Clips
IGV WORM GEAR SHAFT REPAIR	100705	<ul style="list-style-type: none"> <li>TTH375/TGH285</li> </ul>	ALL	Contains Worm Gear, Stepper Motor, Bearings, Collars, Clips, O-rings, and fasteners
IGV MOTOR	100035-1	<ul style="list-style-type: none"> <li>TTS300/TTS350/TTS400/TTS450/TTS500/TTS700</li> <li>TGS230/TGS310/TGS380/TGS390/TGS490/TGS520</li> </ul>	ALL	Includes Stepper Motor and O-rings
IGV MOTOR	100035-2	<ul style="list-style-type: none"> <li>TTH375/TGH285</li> </ul>	ALL	Includes Stepper Motor, O-rings, and fasteners
O-RING, IGV ASSY	100051-1	ALL COMPRESSORS	ALL	Includes O-rings
WORM GEAR EXTRACTOR TOOL	100246	ALL COMPRESSORS	ALL	Worm Gear Extractor tool only

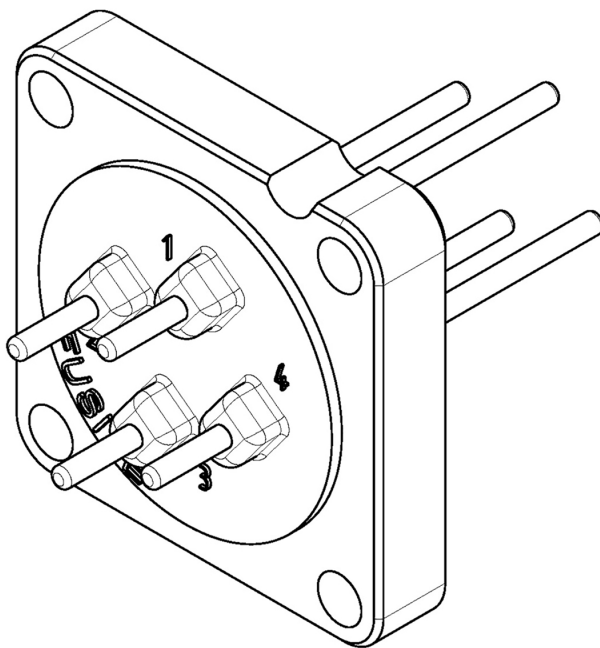
**3.5 Pressure Temperature Sensor Suction**



DESCRIPTION	PART NO.	APPLIES TO	MAJOR REV	COMMENT
PRESSURE/TEMP SENSOR, SUCTION	100036-1	ALL COMPRESSORS	ALL	Marked with a blue dot and a green dot, includes O-ring



### 3.6 Hermetic Feedthrough IGV 4 Pin

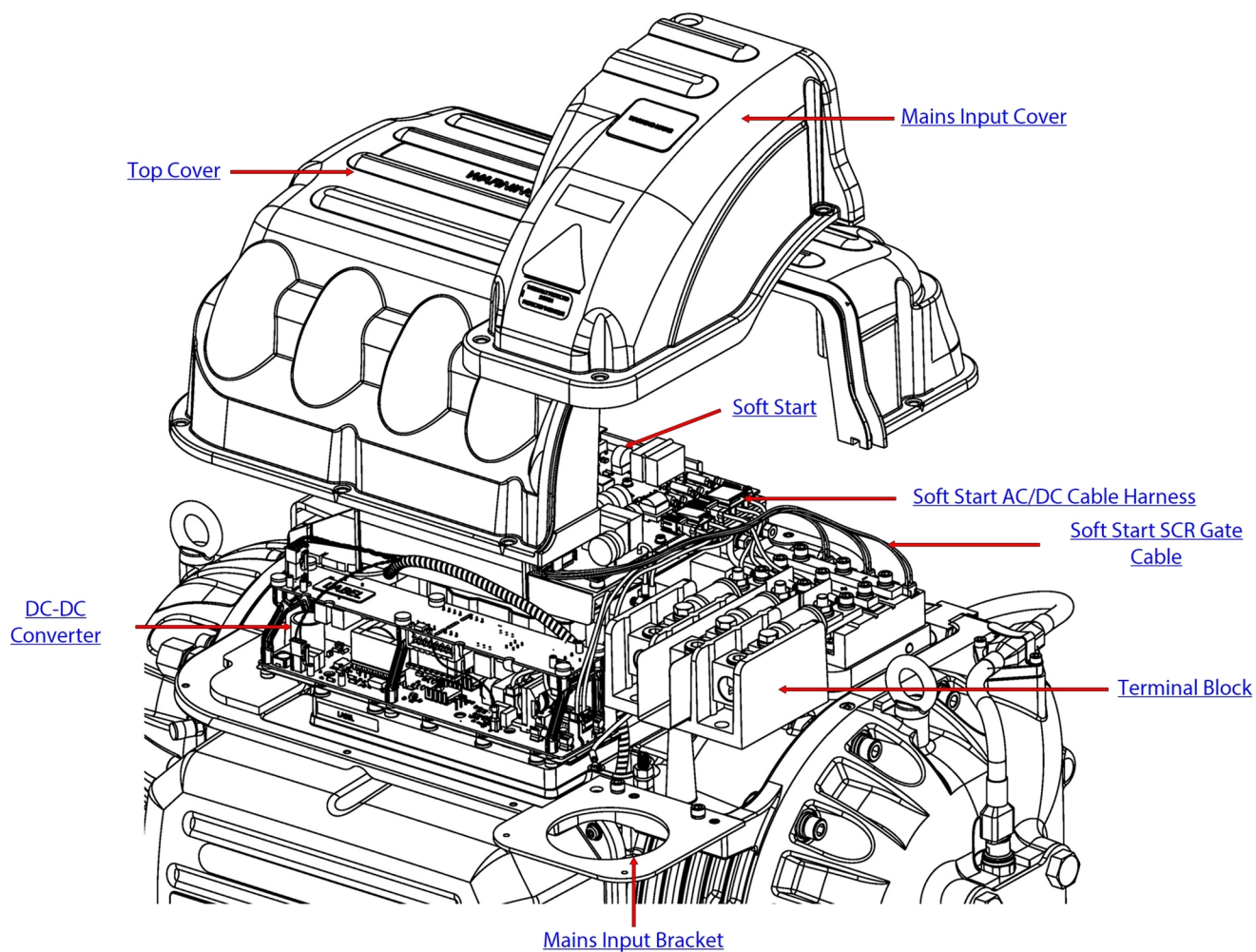


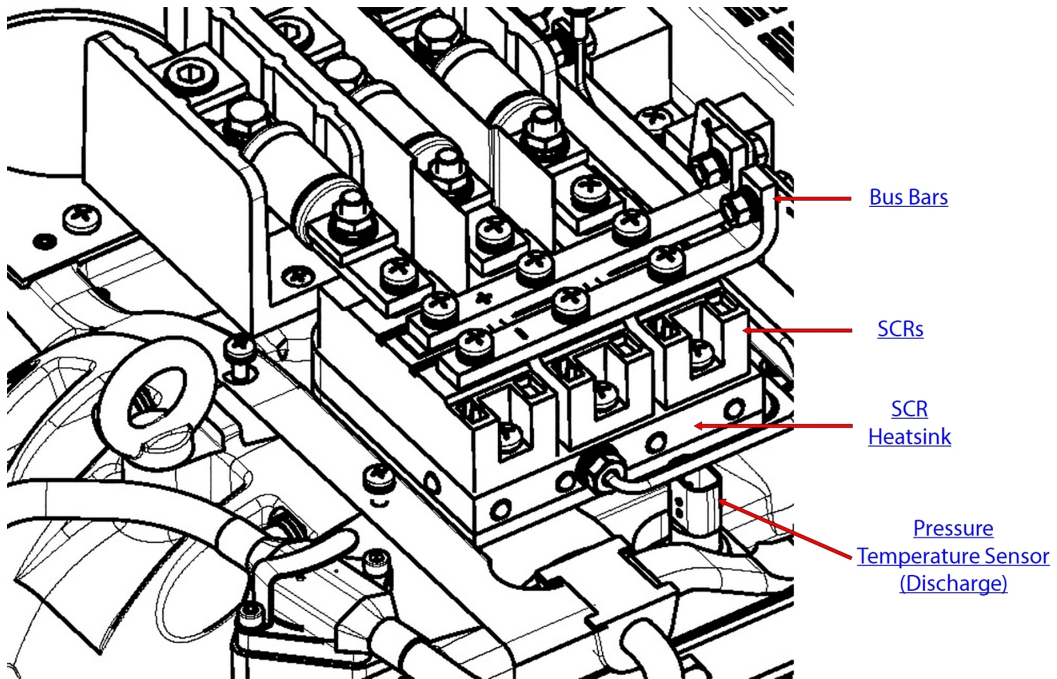
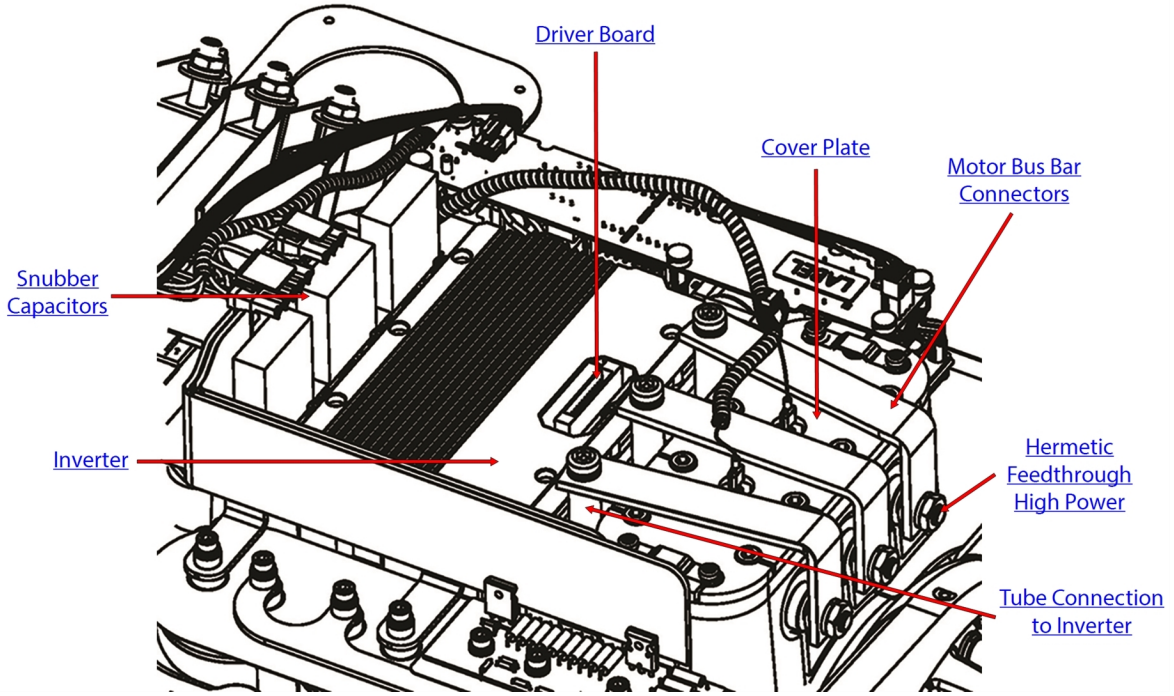
DESCRIPTION	PART NO.	APPLIES TO	MAJOR REV	COMMENT
4 PIN IGV FEEDTHROUGH	100321-1	ALL COMPRESSORS	ALL	Includes O-ring, clamp, and fasteners

**THIS PAGE INTENTIONALLY LEFT BLANK**

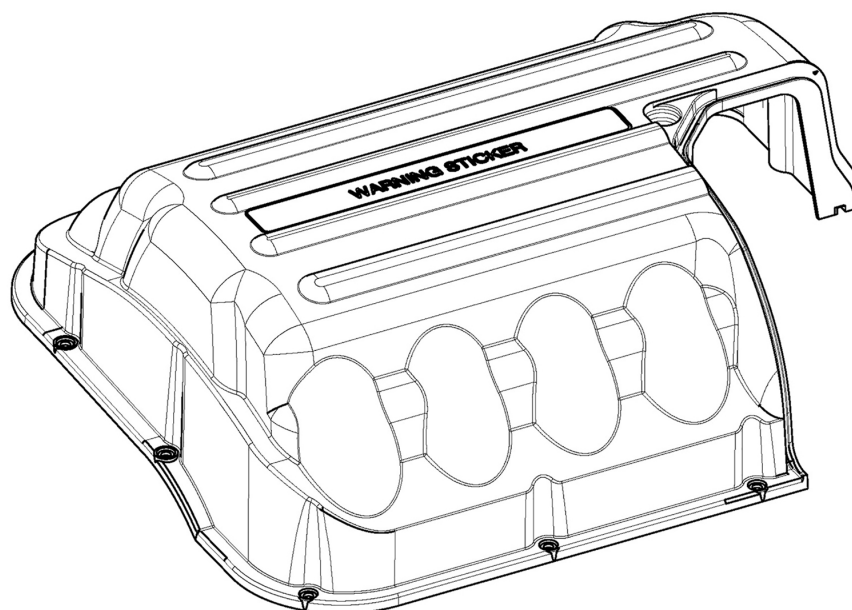
## Chapter 4.0 Top Side

This section details the spare part kits available for components underneath the Top Side and Mains Input covers.



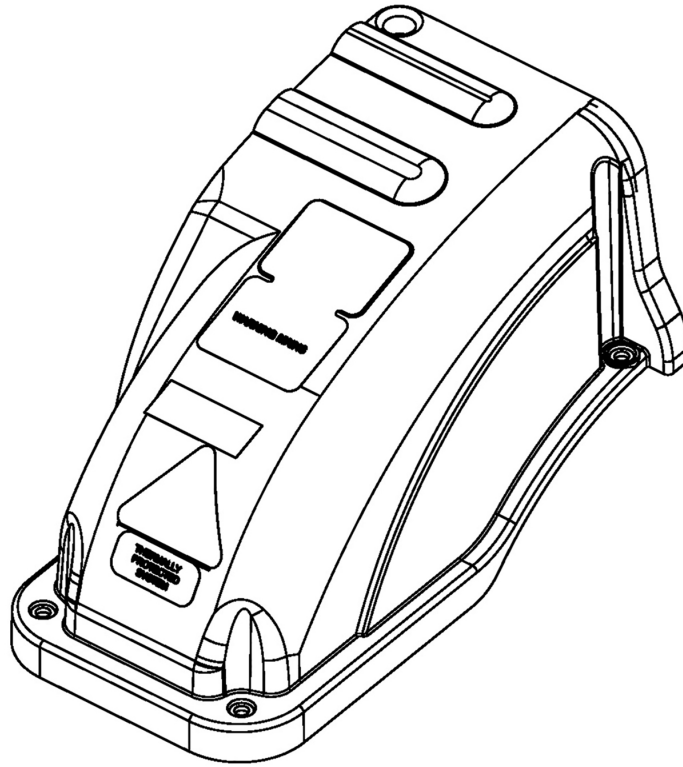


#### 4.1 Top Cover



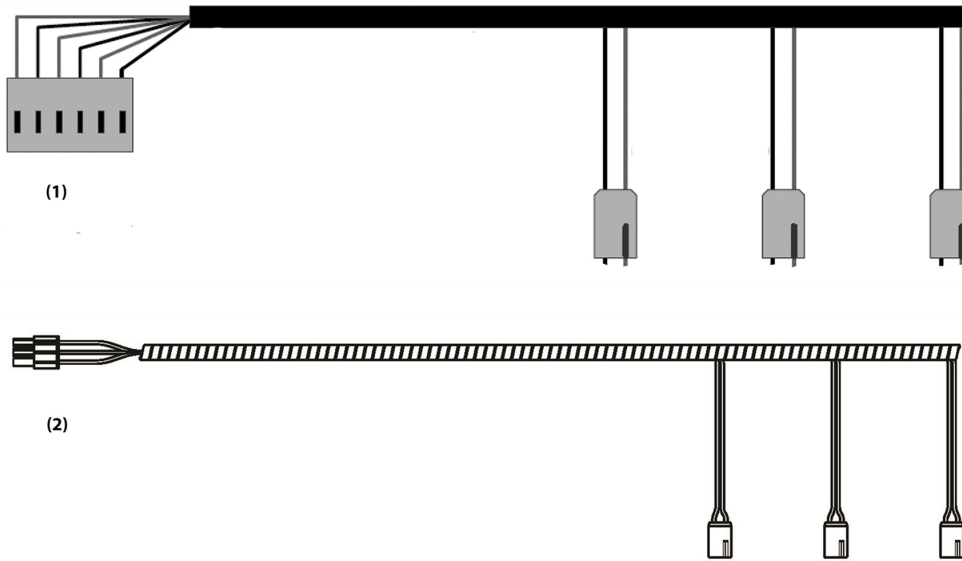
DESCRIPTION	PART NO.	APPLIES TO	MAJOR REV	COMMENT
TOP COVER, BLACK, EN/FR	100054-3	<ul style="list-style-type: none"> <li>TTS300/TTS350/TTS400/TTS450/TTS500/TTS700</li> <li>TTH375</li> </ul>	ALL	Includes fasteners
TOP COVER, GREEN, EN/FR	100054-6	<ul style="list-style-type: none"> <li>TGS230/TGS310/TGS380/TGS390/TGS490/TGS520</li> <li>TGH285</li> </ul>	ALL	Includes fasteners
COVERS SCREW, M5, STAINLESS	100252	ALL COMPRESSORS	ALL	Replaces fasteners for all four (4) covers (24 fasteners)

4.2 Mains Input Cover



DESCRIPTION	PART NO.	APPLIES TO	MAJOR REV	COMMENT
MAINS INPUT COVER, BLACK	100056-3	<ul style="list-style-type: none"> <li>TTS300/TTS350/TTS400/TTS450/TTS500/TTS700</li> <li>TTH375</li> </ul>	ALL	Includes fasteners
MAINS INPUT COVER, GREEN	100056-6	<ul style="list-style-type: none"> <li>TGS230/TGS310/TGS380/TGS390/TGS490/TGS520</li> <li>TGH285</li> </ul>	ALL	Includes fasteners
COVERS SCREW, M5, STAINLESS	100252	ALL COMPRESSORS	ALL	Replaces fasteners for all four (4) covers (24 fasteners)

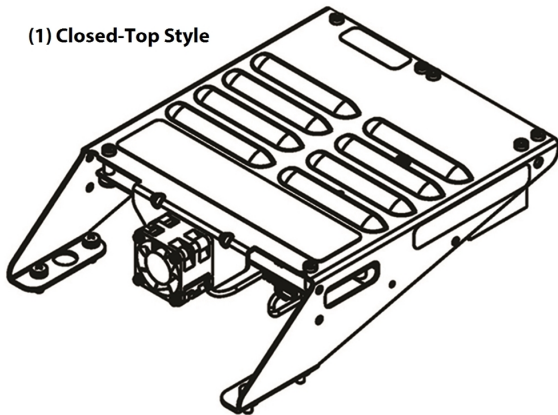
### 4.3 Soft Start SCR Gate Cable



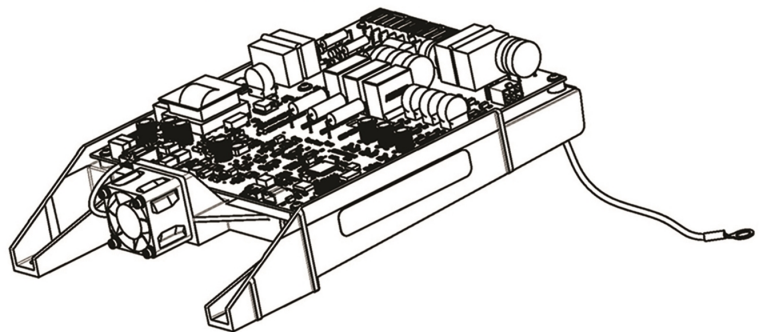
It is important to determine the Soft Start that is currently installed on the compressor. Pre Rev H compressors may contain a Soft Start that has been upgraded to the Open-Top style. The two (2) different style Soft Starts utilize a different SCR Cable connector, which requires a unique Soft Start SCR Gate Cable.

DESCRIPTION	PART NO.	APPLIES TO	MAJOR REV	COMMENT
(1) CABLE, SOFTSTART SCR GATE	100059	ALL COMPRESSORS	-N, -P, -C, -D, -E, -F, -G	Closed-Top Soft Starts (1) Includes cable only
(2) CABLE, SOFTSTART SCR GATE	100059-1	ALL COMPRESSORS	-H	Open-Top Soft Start (2) Includes cable only

(1) Closed-Top Style

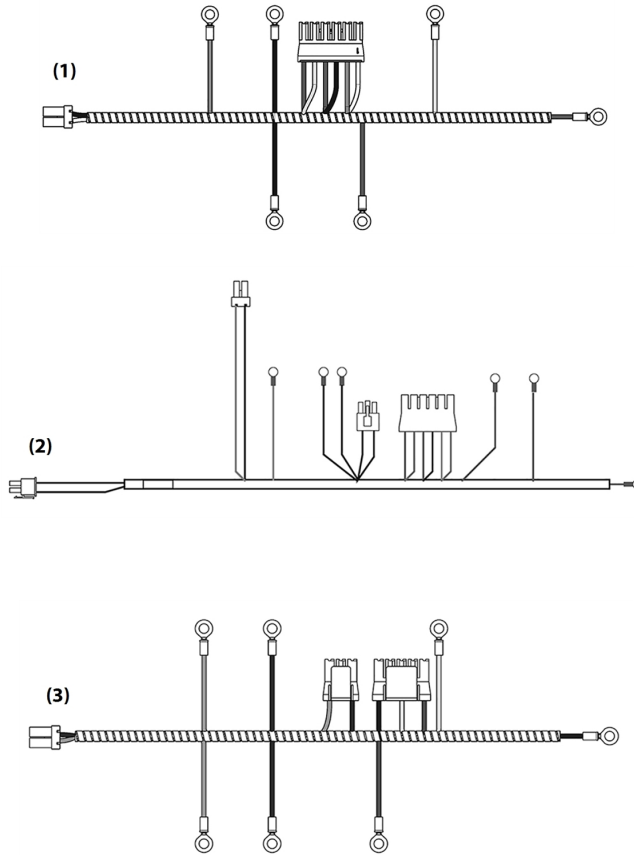


(2) Open-Top Style



\*The Open-Top style Soft Starts require a different Soft Start SCR Cable.

#### 4.4 Cable Harness Soft Start AC/DC

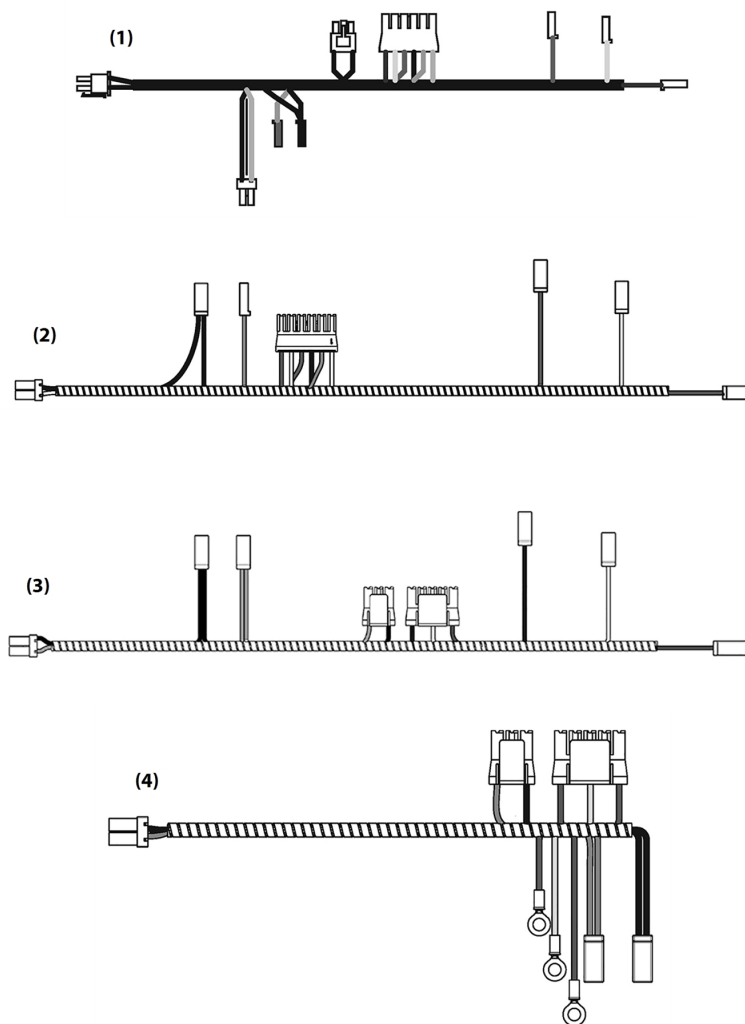


It is important to determine the Soft Start that is currently installed on the compressor, as well as the DC-DC Converter and Bus Bar assembly. Pre-rev H compressors may contain a Soft Start that has been upgraded to the Open-Top style and a DC-DC Converter that has been upgraded to the Open-Frame style. Each of these items will impact the required kit. Refer to the Comment section in the tables below to determine the appropriate kit for the existing compressor. Also, refer to the Soft Start section in this manual if you need assistance to identify the visual difference between the two (2) types of Soft Starts.

DESCRIPTION	PART NO.	APPLIES TO	MAJOR REV	COMMENT
(1 & 2) CABLE, SOFTSTART AC/DC	100380	<ul style="list-style-type: none"> <li>TTS300</li> <li>TGS230</li> </ul>	-N, -P, -C, -D, -E, -F, -G	<p>Cable Only</p> <p>Includes two cables in order to accommodate either DC-DC style</p>
(3) CABLE, SOFTSTART AC/DC	100380-1	<ul style="list-style-type: none"> <li>TTS300</li> <li>TGS230</li> </ul>	-H	<p>Cable Only</p> <p>Rev. G compressors can use this cable if they have the Open Frame DC-DC and the Open-Top Soft Start installed</p>

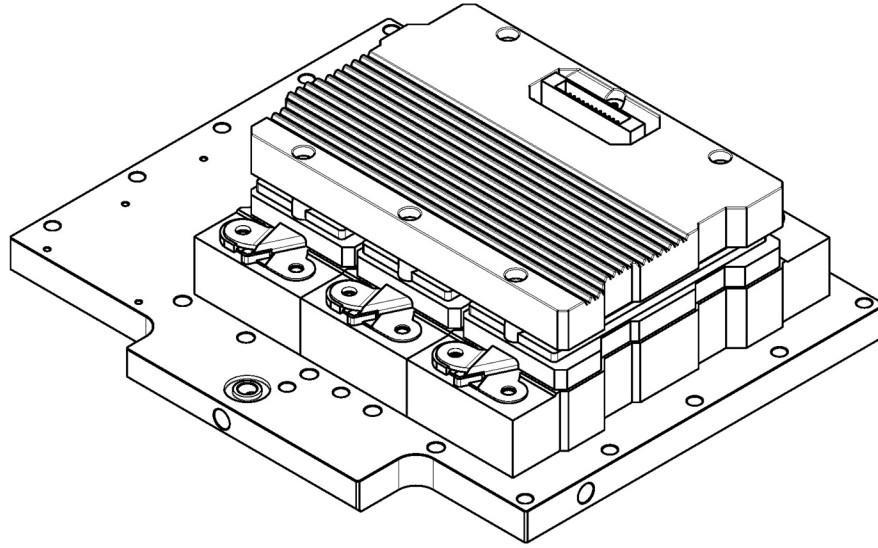


### Cable Harness Soft Start AC/DC (continued)



DESCRIPTION	PART NO.	APPLIES TO	MAJOR REV	COMMENT
(1 & 2) CABLE, SOFTSTART AC/DC	100381	<ul style="list-style-type: none"> <li>TTS350/TTS400/TTS450/TTS500/TTS700</li> <li>TGS310/TGS380/TGS390/TGS490/TGS520</li> <li>TTH375/TGH285</li> </ul>	-P, -A, -C, -E, -F	Cable Only Includes two (2) cables in order to accommodate either DC-DC style)
(3) CABLE, SOFTSTART AC/DC	100381-2	<ul style="list-style-type: none"> <li>TTS350/TTS400/TTS450/TTS500/TTS700</li> <li>TGS310/TGS380/TGS390/TGS490/TGS520</li> <li>TTH375/TGH285</li> </ul>	-P, -A, -C, -E, -F	Cable Only For use with Soft Start (open-top style), Open Frame DC-DC, and Curved Bus Bars
(4) CABLE, SOFTSTART AC/DC	100381-1	<ul style="list-style-type: none"> <li>TTS350/TTS400/TTS450/TTS500/TTS700</li> <li>TGS310/TGS380/TGS390/TGS490/TGS520</li> <li>TTH375/TGH285</li> </ul>	-H	Cable Only For use with Soft Start (open-top style), Open- Frame DC-DC, small SCRs, and Straight Bus Bars

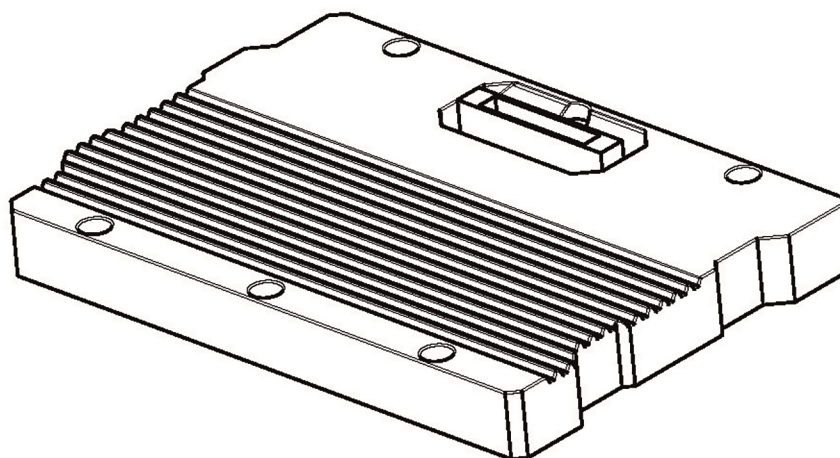
## 4.5 Inverter



DESCRIPTION	PART NO.	APPLIES TO	MAJOR REV	COMMENT
INVERTER ASSEMBLY CONVERSION (342 to 613)	100521*	<ul style="list-style-type: none"> <li>TTS300</li> <li>TGS230</li> </ul>	-N, -P, -C, -D, -E, -F	Includes motor bus bars, manifold insulator, fasteners, washers, and O-rings
INVERTER ASSEMBLY, 613	100043-13*	<ul style="list-style-type: none"> <li>TTS300</li> <li>TGS230</li> </ul>	-G, -H	Includes fasteners, washers, and O-rings
INVERTER ASSEMBLY, 613	100043-11	<ul style="list-style-type: none"> <li>TTS350/TTS400/TTS450/TTS500/TTS700</li> <li>TGS310/TGS380/TGS390/TGS490/TGS520</li> <li>TTH375/TGH285</li> </ul>	-P, -A, -C, -E, -F, -H	Includes fasteners, washers, and O-rings
O-RINGS, INVERTER ASSY	100310-2	<ul style="list-style-type: none"> <li>TTS300</li> <li>TGS230</li> </ul>	ALL	Includes Inverter O-rings and fasteners
O-RING, INVERTER ASSY	100310-1	<ul style="list-style-type: none"> <li>TTS350/TTS400/TTS450/TTS500/TTS700</li> <li>TGS310/TGS380/TGS390/TGS490/TGS520</li> <li>TTH375/TGH285</li> </ul>	ALL	Replaces Inverter O-rings and fasteners

\*Refer to Customer Notification (B-CN-079-EN)

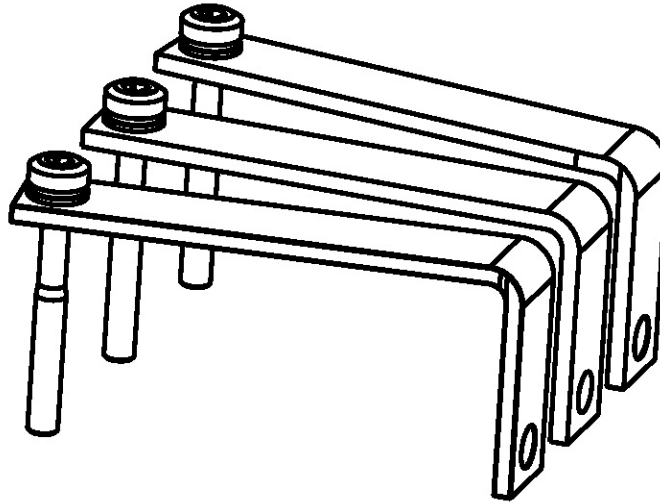
## 4.6 Driver Board



DESCRIPTION	PART NO.	APPLIES TO	MAJOR REV	COMMENT
INVERTER DRIVER BOARD, 613	100518-1*	<ul style="list-style-type: none"> <li>TTS300</li> <li>TGS230</li> </ul>	-G, -H	Includes mounting fasteners and spring pins
INVERTER DRIVER BOARD, 613	100518	<ul style="list-style-type: none"> <li>TTS350/TTS400/TTS450/TTS500/TTS700</li> <li>TGS310/TGS380/TGS390/TGS490/TGS520</li> <li>TTH375/TGH285</li> </ul>	-P, -A, -C, -E, -F, -H	Includes mounting fasteners and spring pins

\*Refer to Customer Notification (B-CN-079-EN) - This kit is for TTS300/TGS230 Rev. G and later compressors or when Conversion Kit (100521) has already been applied

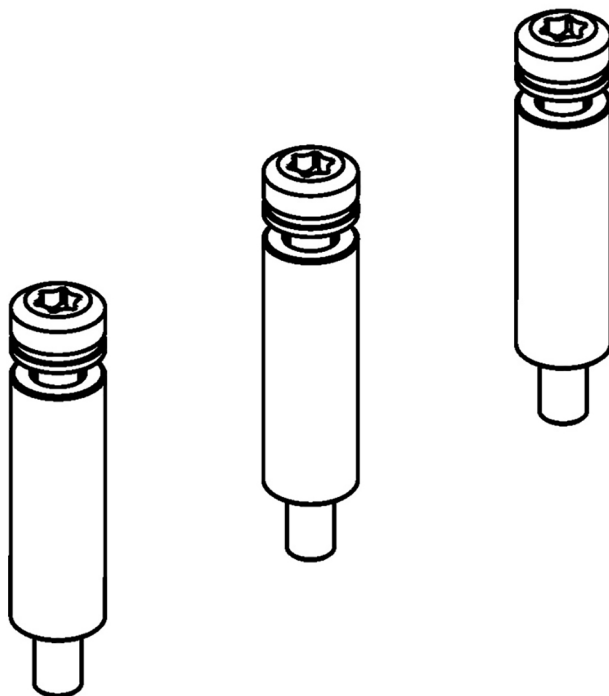
#### 4.7 Motor Bus Bar Assembly Connectors



DESCRIPTION	PART NO.	APPLIES TO	MAJOR REV	COMMENT
MOTOR BUS BAR ASSY	100313	<ul style="list-style-type: none"> <li>TTS300</li> <li>TGS230</li> </ul>	-N, -P, -C, -D, -E, -F	Includes three (3) bus bars and fasteners
MOTOR BUS BAR ASSY	100313-1	<ul style="list-style-type: none"> <li>TTS300*/TTS350/TTS400/TTS450/TTS500/ TTS700</li> <li>TGS230*/TGS310/TGS380/TGS490/TGS520</li> <li>TTH375/TGH285</li> </ul>	-P, -A, -C, -E, -F, G, -H	Includes three (3) bus bars and fasteners

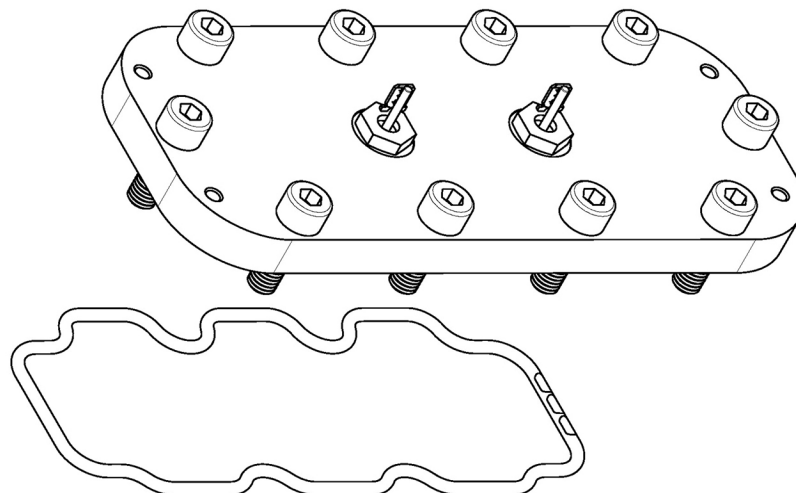
\*Refer to Customer Notification (B-CN-079-EN) - This kit is for TTS300/TGS230 Rev. G and later compressors or when Conversion Kit (100521) has already been applied

4.8 Tube Connection to Inverter



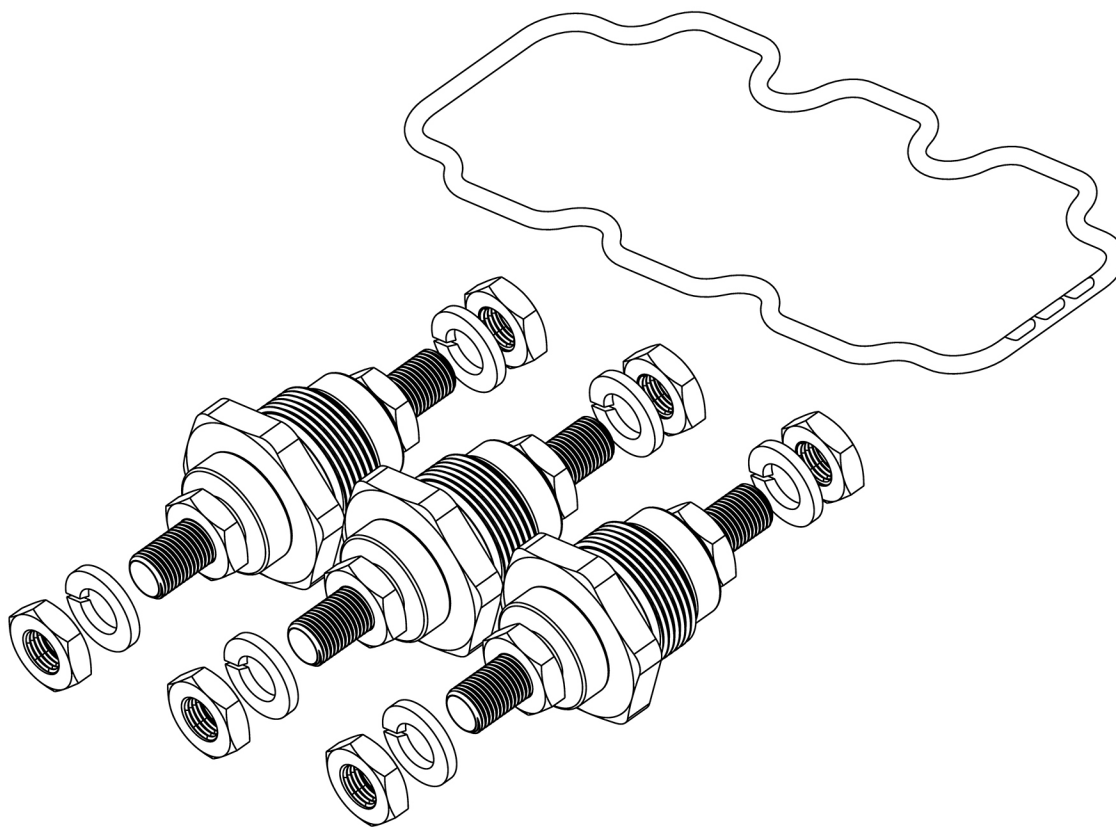
DESCRIPTION	PART NO.	APPLIES TO	MAJOR REV	COMMENT
TUBE CONNECTION TO INVERTER	100311	ALL COMPRESSORS	ALL	Includes three (3) tubes and fasteners

**4.9 Cover Plate Assembly**



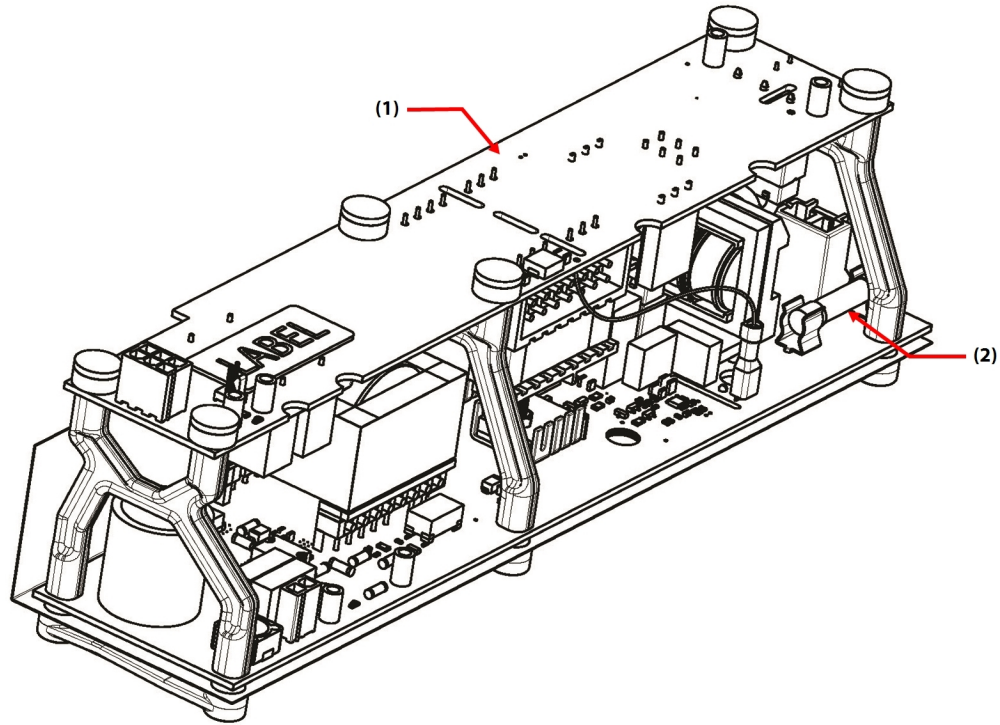
DESCRIPTION	PART NO.	APPLIES TO	MAJOR REV	COMMENT
COVER PLATE ASSY	100314-2	ALL COMPRESSORS	ALL	Includes O-ring
O-RING, COVER PLATE ASSY	100315-1	ALL COMPRESSORS	ALL	Molded O-ring Only (shown)

#### 4.10 Hermetic Feedthrough High Power



DESCRIPTION	PART NO.	APPLIES TO	MAJOR REV	COMMENT
HIGH-POWER FEEDTHROUGH	100383	ALL COMPRESSORS	ALL	Includes three high power feedthroughs, nuts, washers, O-rings, and fasteners
O-RING, COVER PLATE ASSY	100315-1	ALL COMPRESSORS	ALL	Custom O-ring only (shown)

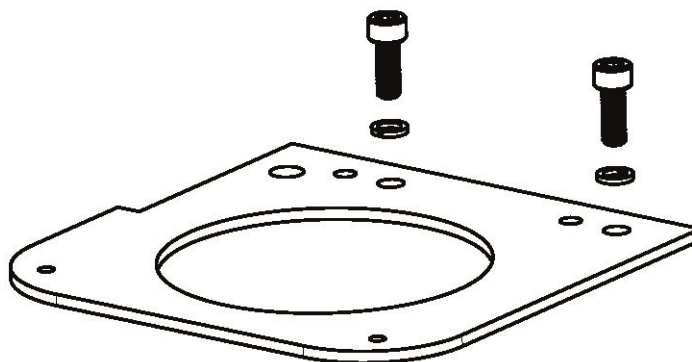
#### 4.11 DC-DC Converter



DESCRIPTION	PART NO.	APPLIES TO	MAJOR REV	COMMENT
(1) DC-DC CONVERTER	100379	ALL COMPRESSORS	ALL	Includes fasteners
(2) FUSE, 2A, 1000V	100084	ALL COMPRESSORS	ALL OPEN FRAME DC-DC CONVERTERS	Includes 2 fuses



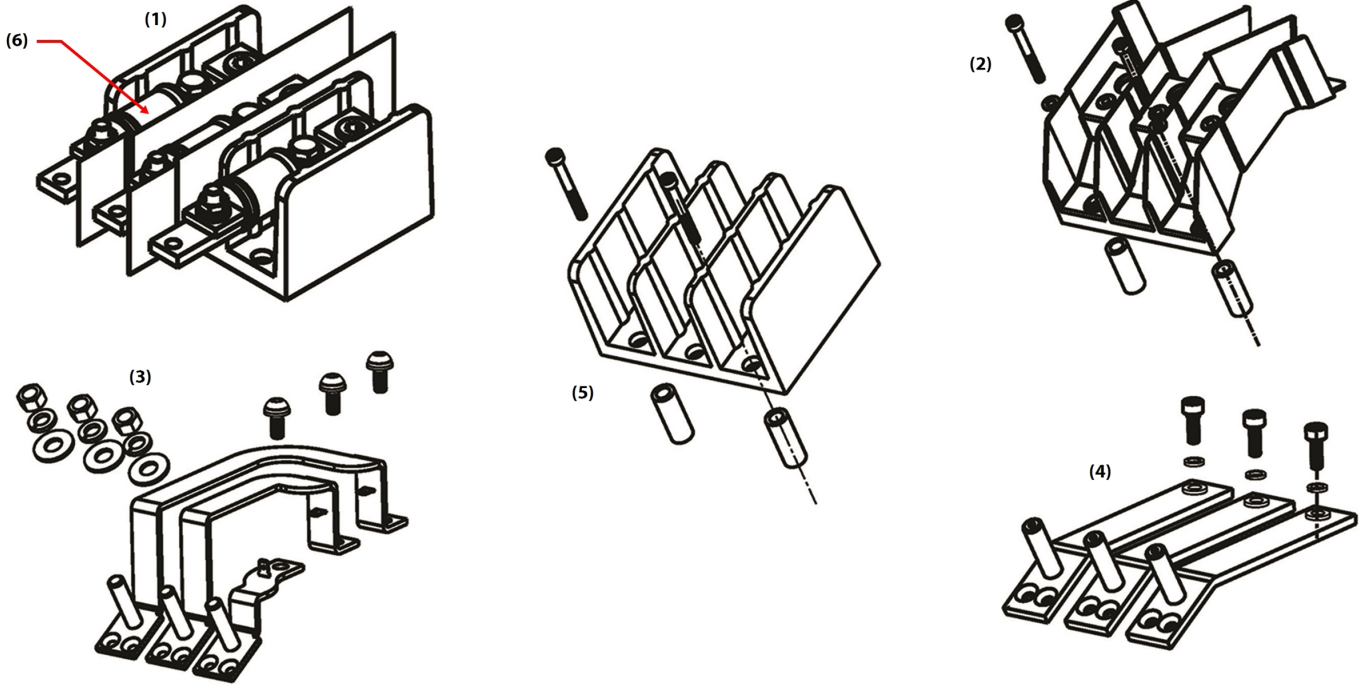
#### 4.12 Mains Input Bracket and Grounding Stud



DESCRIPTION	PART NO.	APPLIES TO	MAJOR REV	COMMENT
MAINS PLATE BRACKET- 2.0 IN DIA	100216	ALL COMPRESSORS	ALL	Includes fasteners and washers
MAINS PLATE BRACKET- 2.5 IN DIA	100217	ALL COMPRESSORS	ALL	Includes fasteners and washers
MAINS PLATE BRACKET- 3.0 IN DIA	100218	ALL COMPRESSORS	ALL	Includes fasteners and washers
MAINS PLATE BRACKET- 3.5 IN DIA	100219	ALL COMPRESSORS	ALL	Includes fasteners and washers
MAIN INPUT GROUND POST	100519 *	ALL COMPRESSORS	ALL	Includes fasteners and washers

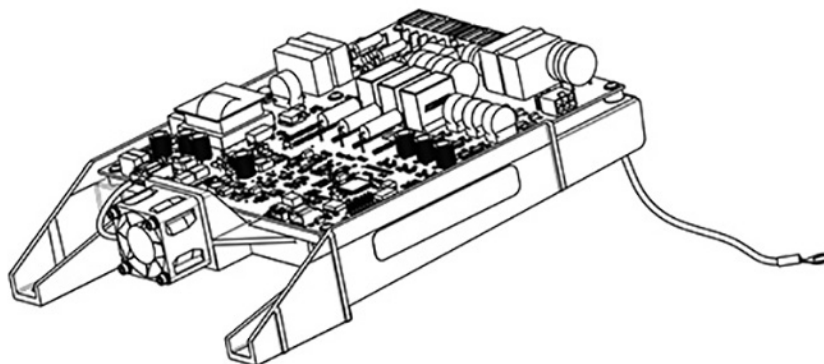
\* Not pictured

### 4.13 Terminal Block Assembly



DESCRIPTION	PART NO.	APPLIES TO	MAJOR REV	COMMENT
(1) TERMINAL BLOCK AND FUSE ASSY	100048-2	<ul style="list-style-type: none"> <li>TTS300</li> <li>TGS230</li> </ul>	-N, -P, -C, -D, -E, -F, -G, -H	Replaces Terminal Block assembly, includes fuses, insulator, fuse extension, fasteners, and connectors
(6) MAINS INPUT FUSE	100344	<ul style="list-style-type: none"> <li>TTS300</li> <li>TGS230</li> </ul>	-N, -P, -C, -D, -E, -F, -G, -H	Replaces the three (3) fuses in the terminal block assembly
(3) INPUT MAINS BUS BARS, CURVED	100416	<ul style="list-style-type: none"> <li>TTS350/TTS400/TTS450/TTS500/TTS700</li> <li>TGS310/TGS380/TGS390/TGS490/TGS520</li> <li>TTH375/TGH285</li> </ul>	-A, -C, -E, -F	Includes three (3) Bus Bars and fasteners
(4) INPUT MAINS BUS BARS, STRAIGHT	100416-1	<ul style="list-style-type: none"> <li>TTS350/TTS400/TTS450/TTS500/TTS700</li> <li>TGS310/TGS380/TGS390/TGS490/TGS520</li> <li>TTH375/TGH285</li> </ul>	-H	Includes three (3) Bus Bars and fasteners
(5) TERMINAL BLOCK ASSY	100048-1	<ul style="list-style-type: none"> <li>TTS350/TTS400/TTS450/TTS500/TTS700</li> <li>TGS310/TGS380/TGS390/TGS490/TGS520</li> <li>TTH375/TGH285</li> </ul>	-A, -C, -E, -F	Replaces Terminal Block, fasteners, and spacers
(2) TERMINAL BLOCK ASSY	100048-3	<ul style="list-style-type: none"> <li>TTS350/TTS400/TTS450/TTS500/TTS700</li> <li>TGS310/TGS380/TGS390/TGS490/TGS520</li> <li>TTH375/TGH285</li> </ul>	-H	Replaces Terminal Block, Bus Bars, fasteners, and spacers

#### 4.14 Soft Start Assembly



- It is important to determine the DC-DC that is currently installed on the compressor prior to purchasing a new Soft Start.
- Please refer to the detail in the Comment column below to determine the appropriate kit or other required cables.

DESCRIPTION	PART NO.	APPLIES TO	MAJOR REV	COMMENT
SOFT START OPEN TOP UPGRADE	100020-19	<ul style="list-style-type: none"> <li>• TTS300</li> <li>• TGS230</li> </ul>	-N, -P, -C, -D, -E, -F	Includes Soft Start, DC-DC, Soft Start AC/DC Cable, Soft Start SCR Gate Cable, and fasteners
SOFT START OPEN TOP	100020-18	<ul style="list-style-type: none"> <li>• TTS300</li> <li>• TGS230</li> </ul>	-G**, -H	<p>Includes fasteners only</p> <p><b>**Rev G compressors with Potted DC-DC require Soft Start Upgrade Kit (100020-19) instead</b></p> <p><b>**Rev G Compressors with Open Frame DC-DC and Closed-Top Soft Start require cables 100380-1 and 100059-1 in addition to this kit</b></p>

#### NOTE

The first compressor to receive the Open Frame DC-DC was S/N **191015180**.

Any compressor prior to S/N **191015180** will require the Soft Start Open Top Upgrade Kit if the upgrade was not previously made.

**Soft Start Assembly (continued)**

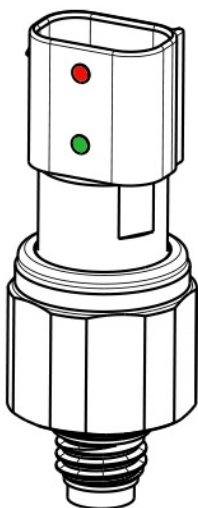
DESCRIPTION	PART NO.	APPLIES TO	MAJOR REV	COMMENT
SOFT START OPEN TOP UPGRADE	100020-20	<ul style="list-style-type: none"> <li>TTS350/TTS400/TTS450/TTS500/TTS700</li> <li>TGS310/TGS380/TGS390/TGS490/TGS520</li> <li>TTH375/TGH285</li> </ul>	-P, -A, -C, -E	Includes Soft Start, DC-DC, Soft Start AC/DC Cable, Soft Start SCR Gate Cable, and fasteners
SOFT START OPEN TOP	100020-18	<ul style="list-style-type: none"> <li>TTS350/TTS400/TTS450/TTS500/TTS700</li> <li>TGS310/TGS380/TGS390/TGS490/TGS520</li> <li>TTH375/TGH285</li> </ul>	-F**, -H	<p>Includes fasteners</p> <p><b>**Rev F compressors with Potted DC-DC require Soft Start Upgrade Kit (100020-20) instead</b></p> <p><b>** Rev F Compressors with Open Frame DC-DC requires cables 100381-2 and 100059-1 in addition to this kit</b></p>

DESCRIPTION	PART NO.	APPLIES TO	MAJOR REV	COMMENT
COOLING FAN AND ADAPTER	100373-1	ALL COMPRESSORS	ALL	Includes adapter and fasteners

#### 4.15 Soft Start Fuses

DESCRIPTION	PART NO.	APPLIES TO	MAJOR REV	COMMENT
FUSES, SOFT START	100317-1	ALL COMPRESSORS	-N, -P, -A, -C, -D, -E, -F, -G	Fuses included: QTY 3 - 2A HVA (F1), QTY 3 - 2A SPF (F1), QTY 10 - 1A Nano (F3, F6), QTY 10 - 0.25A Nano (F2), and QTY 6 - 0.25A Midget (F4, F5)
FUSES, SOFT START	100317-2	ALL COMPRESSORS	-F, -G	For Soft Starts Rev Q and later, Fuses included: QTY 3 - 2A SPF (F1), QTY 10 - 1A Nano (F3, F6), QTY 10 - Nano 0.25A (F2), and QTY 6 - 0.25A Midget (F4, F5)
FUSE, NANO, SMF, 0.25A 125V	100430	ALL COMPRESSORS	-N, -P, -A, -C, -D, -E, -F, -G	Includes 10 fuses
FUSE, MIDGET, TIME DELAY, 0.2A, 600V	100432	ALL COMPRESSORS	-N, -P, -A, -C, -D, -E, -F, -G	Includes six (6) fuses
FUSE, NANO, 1A 125V	100433	ALL COMPRESSORS	-N, -P, -A, -C, -D, -E, -F, -G	Includes 10 fuses
FUSE, 2A, 1000V, 3IN	100421	<ul style="list-style-type: none"> <li>TTS300/TTS350/TTS400/TTS450/TTS500/TTS700</li> <li>TGS230/TGS310/TGS380/TGS390/TGS490/TGS520</li> </ul>	-N, -P, -A, -C, -D, -E	For Soft Starts rev P and earlier, includes three (3) fuses
FUSE, 2A, 1000V	100422	<ul style="list-style-type: none"> <li>TTS300/TTS350/TTS400/TTS450/TTS500/TTS700</li> <li>TGS230/TGS310/TGS380/TGS390/TGS490/TGS520</li> <li>TTH375/TGH285</li> </ul>	-F, -G	For Soft Starts rev Q and later, includes three (3) fuses

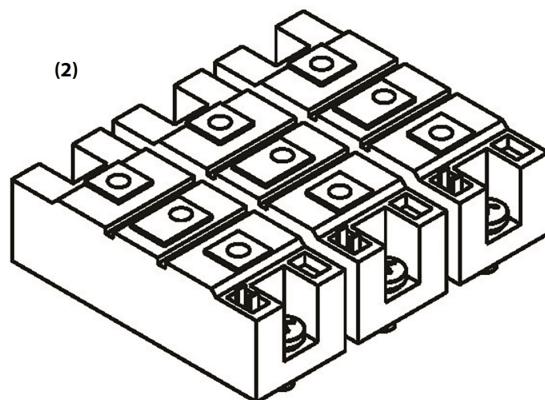
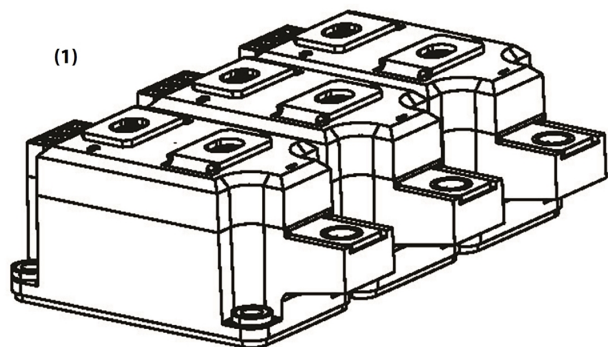
**4.16 Pressure Temperature Sensor Discharge**



DESCRIPTION	PART NO.	APPLIES TO	MAJOR REV	COMMENT
*PRESSURE/TEMP SENSOR, DISCHARGE	100037-2	ALL COMPRESSORS	ALL	Marked with a red dot and a green dot, contains O-ring

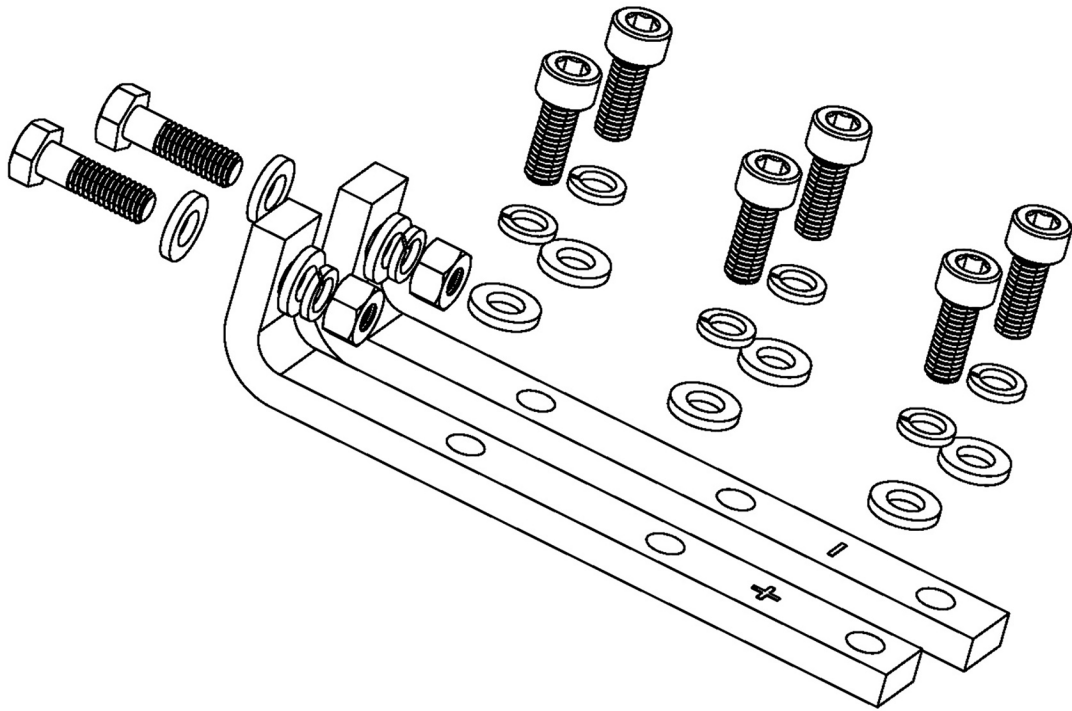
\* Also replaces the TTH/TGH compressor Interstage Pressure/Temperature Sensor.

#### 4.17 Silicone-Controlled Rectifiers (SCRs)



DESCRIPTION	PART NO.	APPLIES TO	MAJOR REV	COMMENT
(2) SILICONE CONTROLLED RECTIFIERS	100047-1	<ul style="list-style-type: none"> <li>TTS300</li> <li>TGS230</li> </ul>	-N, -P, -C, -D, -E, -F, -G, -H	Includes fasteners <b>Not interchangeable with Kit 100047-3</b>
(2) SILICONE CONTROLLED RECTIFIERS	100047-1	<ul style="list-style-type: none"> <li>TTS400</li> <li>TGS390</li> </ul>	-H	Includes fasteners <b>Not interchangeable with Kit 100047-3</b>
(1) SILICONE CONTROLLED RECTIFIERS	100047-2	<ul style="list-style-type: none"> <li>TTS350/TTS450/TTS500/TTS700</li> <li>TGS310/TGS380/TGS490/TGS520</li> <li>TTH375/TGH285</li> </ul>	-A, -C, -E, -F	Includes fasteners
(1) SILICONE CONTROLLED RECTIFIERS	100047-2	<ul style="list-style-type: none"> <li>TTS400</li> <li>TGS390</li> </ul>	-P, -A, -C, -E, -F	Includes fasteners
(2) SILICONE CONTROLLED RECTIFIERS	100047-3	<ul style="list-style-type: none"> <li>TTS350/TTS450/TTS500/TTS700</li> <li>TGS310/TGS380/TGS490/TGS520</li> <li>TTH375/TGH285</li> </ul>	-H	Includes fasteners <b>Not interchangeable with Kit 100047-1</b>

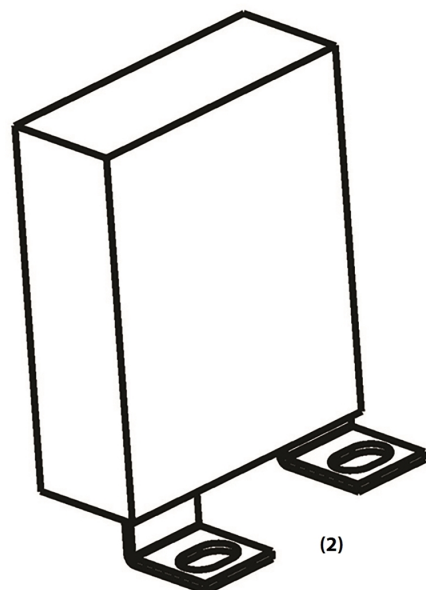
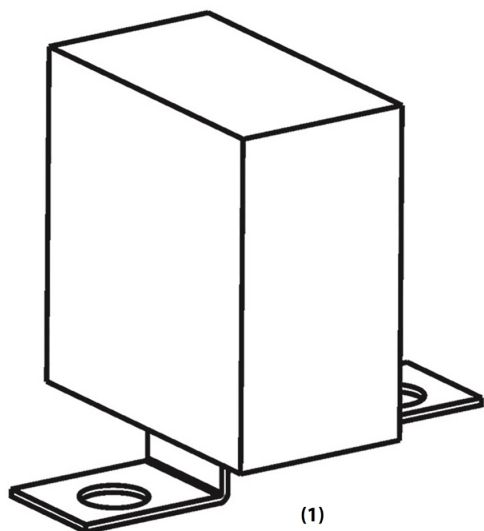
4.18 Bus Bar



DESCRIPTION	PART NO.	APPLIES TO	MAJOR REV	COMMENT
SCR BUS BAR	100316	<ul style="list-style-type: none"> <li>TTS300</li> <li>TGS230</li> </ul>	ALL	Includes positive and negative Bus Bars and fasteners



#### 4.19 Snubber Capacitors

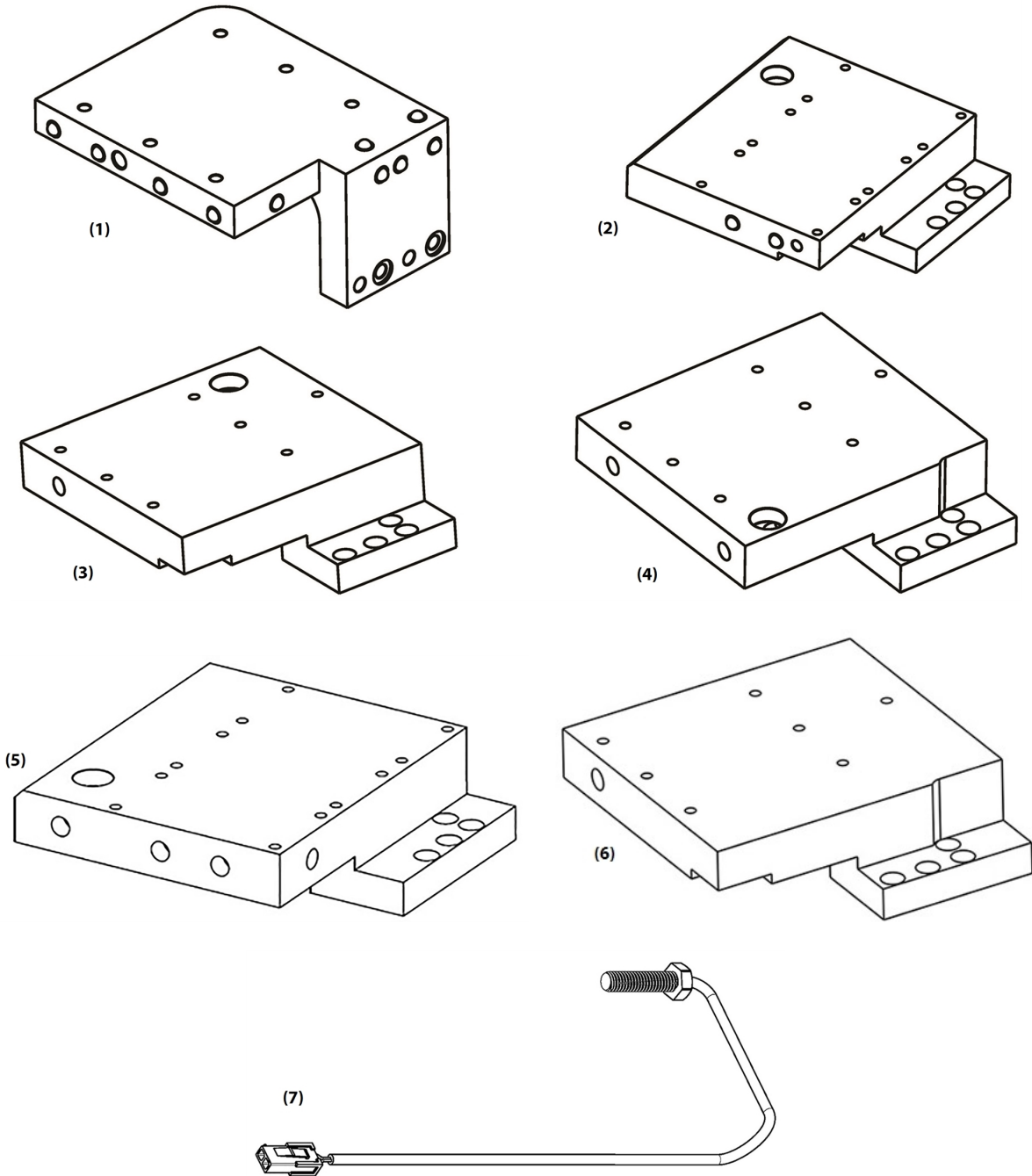


DESCRIPTION	PART NO.	APPLIES TO	MAJOR REV	COMMENT
(1) SNUBBER CAPACITOR, 0.47 $\mu$ F, 1000VDC	100417	<ul style="list-style-type: none"> <li>TTS300</li> <li>TGS230</li> </ul>	ALL	Includes three (3) snubbers and fasteners
(1) SNUBBER CAPACITOR, 0.47 $\mu$ F, 1000VDC	100417	<ul style="list-style-type: none"> <li>TTS350/TTS400/TTS450/TTS500/TTS700</li> <li>TGS310/TGS380/TGS390/TGS490/TGS520</li> <li>TTH375/TGH285</li> </ul>	-P, -A, -C, -E, -F	Includes three (3) snubbers and fasteners
(2) INVERTER SNUBBER CAPACITOR, 0.47 $\mu$ F, 1250VDC	100417-1	<ul style="list-style-type: none"> <li>TTS350/TTS400/TTS450/TTS500/TTS700</li> <li>TGS310/TGS380/TGS390/TGS490/TGS520</li> <li>TTH375/TGH285</li> </ul>	-H	Includes three (3) snubbers and fasteners <b>(Not for use on High SST Models)</b>
(1) SNUBBER CAPACITOR, 0.47 $\mu$ F, 1000VDC	100417	<ul style="list-style-type: none"> <li>TTS350/TTS400/TTS450/TTS700</li> <li>TGS310/TGS380/TGS390/TGS490/TGS520</li> </ul> <b>(High SST Models only)</b>	-H	Includes three (3) snubbers and fasteners <b>(High SST Models)</b>

#### NOTE

Snubber capacitors should always be replaced as a kit.

## 4.20 SCR Heatsink Assembly



DESCRIPTION	PART NO.	APPLIES TO	MAJOR REV	COMMENT
(1) SCR COOLING MANIFOLD	100309-11	<ul style="list-style-type: none"> <li>TTS300</li> <li>TGS230</li> </ul>	ALL	Includes O-rings and fasteners <b>(sensor not applicable)</b>
(2) SCR COOLING MANIFOLD	100309-13	<ul style="list-style-type: none"> <li>TTS350/TTS400/TTS450/TTS500/TTS700</li> <li>TGS310/TGS380/TGS390/TGS490/TGS520</li> </ul>	-P, -A, -C, -E, -F	Includes O-rings and fasteners <b>(sensor not applicable)</b>

DESCRIPTION	PART NO.	APPLIES TO	MAJOR REV	COMMENT
(3) SCR COOLING MANIFOLD	100309-9	<ul style="list-style-type: none"> <li>TTS350/TTS400/TTS500/TTS700</li> <li>TGS310/TGS390/TGS490/TGS520</li> </ul>	-H	Includes O-rings and fasteners (sensor not applicable)
(4) SCR COOLING MANIFOLD HIGH SST	100309-8	<ul style="list-style-type: none"> <li>TTS350/TTS400/TTS450/TTS500/TTS700</li> <li>TGS310/TGS380/TGS390/TGS490/TGS520</li> </ul>	-H <b>(High SST)</b>	High SST Option Includes O-rings and fasteners <b>Refer to Note 2</b>
(6) SCR COOLING MANIFOLD	100309-15	<ul style="list-style-type: none"> <li>TGS380/TTS450</li> </ul>	-H	<b>Standard Temp Models only</b>
(5) SCR COOLING MANIFOLD	100309-7	<ul style="list-style-type: none"> <li>TTH375/TGH285</li> </ul>	-F	Includes O-rings and fasteners <b>Not interchangeable with Kit 100309-8</b>
(4) SCR COOLING MANIFOLD	100309-8	<ul style="list-style-type: none"> <li>TTH375/TGH285</li> </ul>	-H	Includes O-rings and fasteners <b>Not interchangeable with Kit 100309-7</b>
O-RINGS, SCR COOLING MANIFOLD	100310-2	<ul style="list-style-type: none"> <li>TTS300</li> <li>TGS230</li> </ul>	ALL	Replaces Inverter and SCR Heatsink Manifold O-rings and fasteners
O-RINGS, SCR COOLING MANIFOLD	100310-1	<ul style="list-style-type: none"> <li>TTS350/TTS400/TTS450/TTS500/TTS700</li> <li>TGS310/TGS380/TGS390/TGS490/TGS520</li> <li>TTH375/TGH285</li> </ul>	ALL	Replaces Inverter and SCR Heatsink Manifold O-rings and fasteners

DESCRIPTION	PART NO.	APPLIES TO	MAJOR REV	COMMENT
(7) SCR COOLING MANIFOLD TEMP SENSOR	100268	<ul style="list-style-type: none"> <li>TTS300/TTS350/TTS400/TTS450/TTS500/TTS700</li> <li>TGS230/TGS310/TGS380/TGS390/TGS490/TGS520</li> </ul>	-N, -P, -A, -C, -D, -E, -F, -G	Includes washers <b>Will not work in Rev H compressors</b>

#### NOTE 1

The SCR Temperature Sensor is not required on Revision H compressors.

#### NOTE 2

A TTS/TGS model series standard temperature compressor can be converted to a high temperature compressor. To do so, the following items are required:

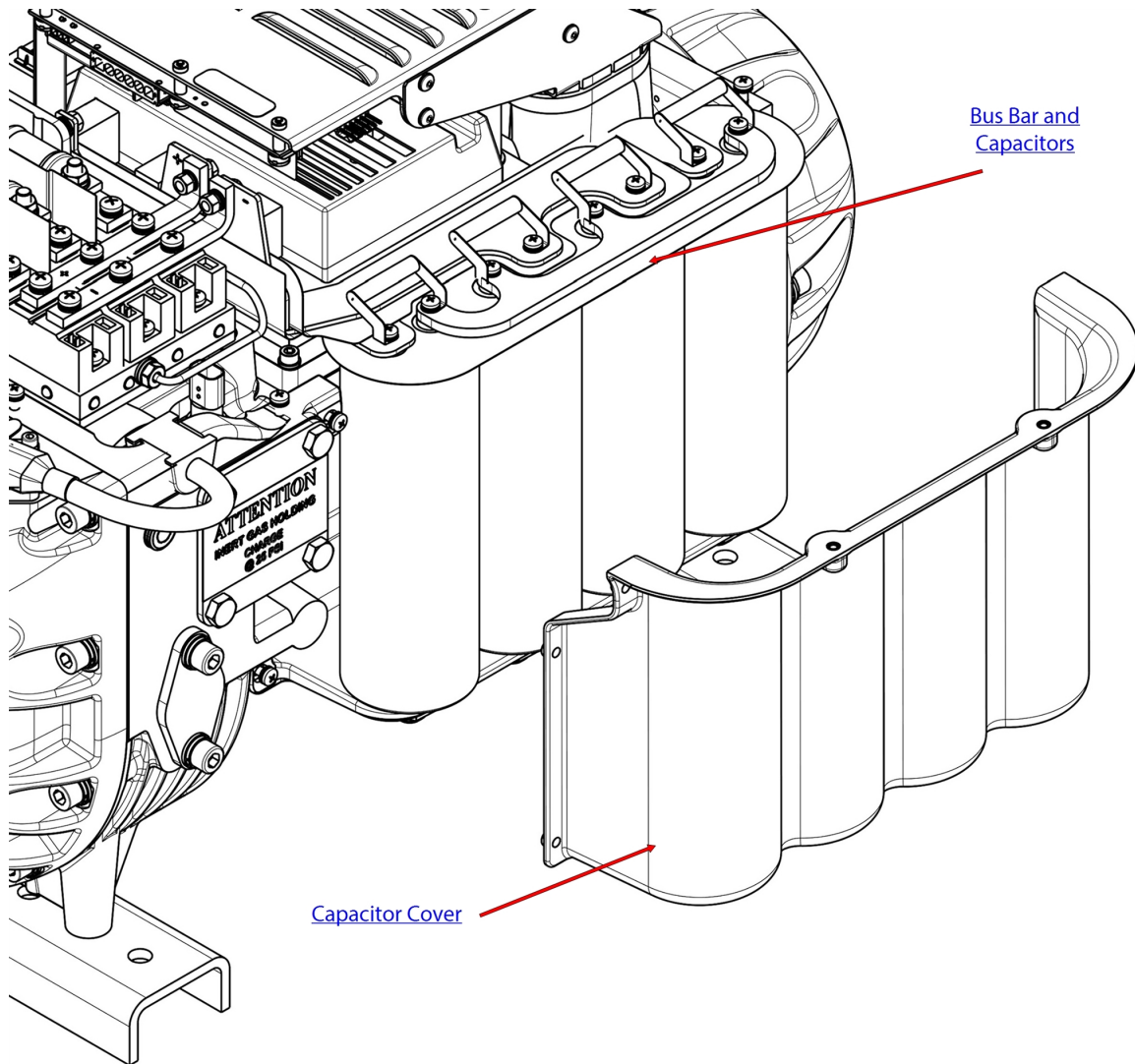
- 100309-8 - Heatsink, Cooling Manifold SCR Assembly
- 201055-xxxxxxx-xxx 4.3.0 BMCC\*
- 100417 - CAPACITOR INVERTER SNUBBER, 0.47Y1000

\*BMCC PNs are not unique between application option ST (Standard Temperature) and HT (High Temperature); however, HT applications require software version 4.3.0 and later to operate.

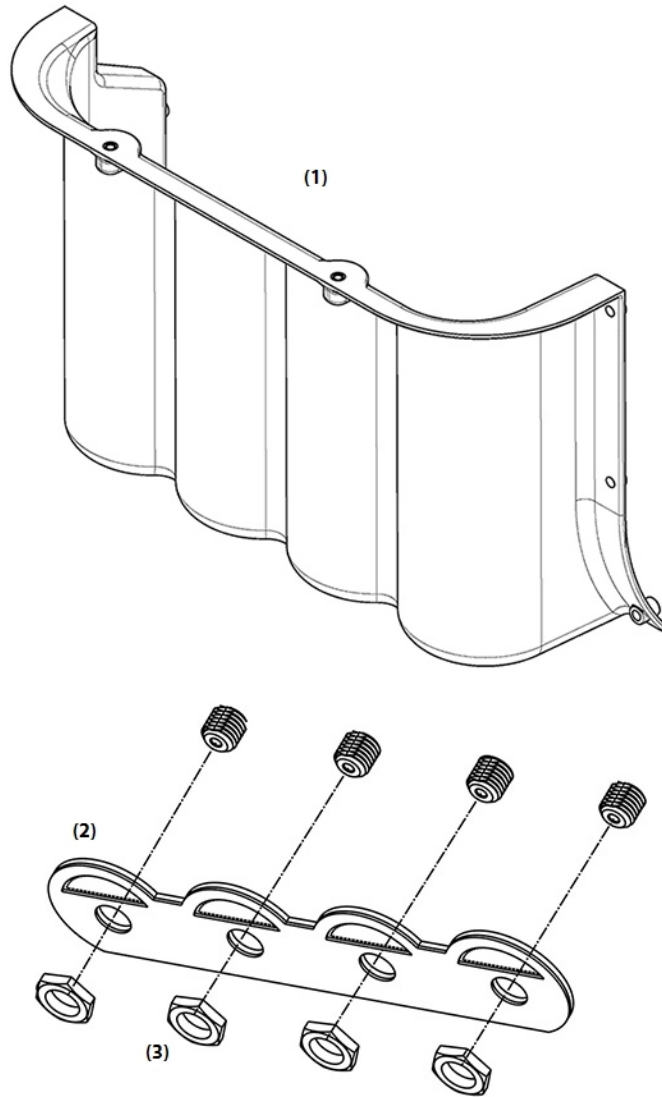
**THIS PAGE INTENTIONALLY LEFT BLANK**

## Chapter 5.0 Capacitor Side

This section details the spare part kits that are visible from the discharge side of the compressor underneath the Capacitor and Mains Input cover.

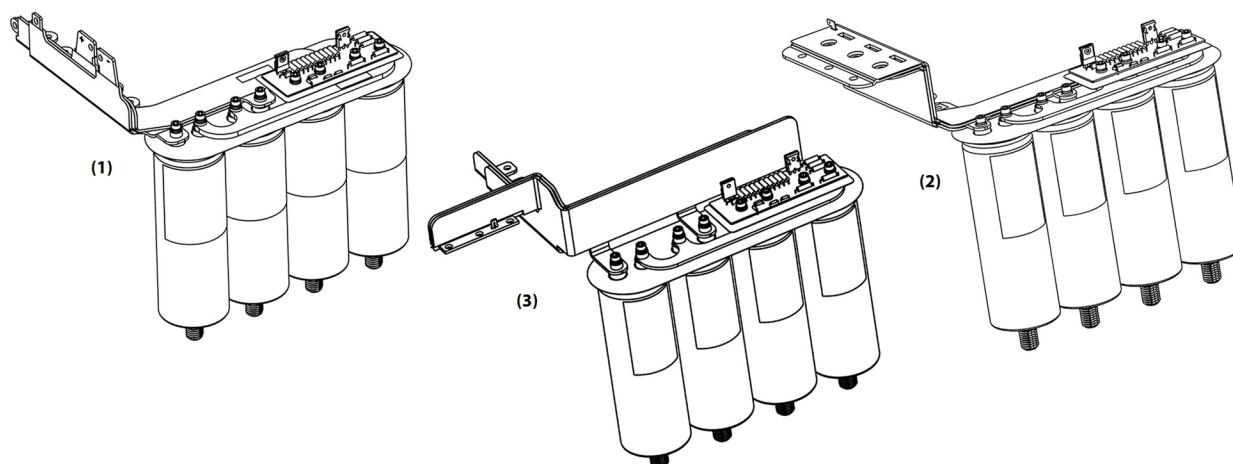


## 5.1 Capacitor Cover



DESCRIPTION	PART NO.	APPLIES TO	MAJOR REV	COMMENT
(1) CAPACITOR COVER, BLACK	100053-3	<ul style="list-style-type: none"> <li>• TT300/TTS350/TS3TS400/TTS450/TTS500/TTS700</li> <li>• TTH375</li> </ul>	ALL	Includes fasteners
(1) CAPACITOR COVER, GREEN	100053-6	<ul style="list-style-type: none"> <li>• TGS230/TGS310/TGS380/TGS390/TGS490/TGS520</li> <li>• TGH285</li> </ul>	ALL	Includes fasteners
(2) & (3) CAP MEMBRANE	100122	ALL COMPRESSORS	ALL	Includes nylon hex nuts
COVERS SCREW, M5, STAINLESS	100252	ALL COMPRESSORS	ALL	Replaces fasteners for all four (4) covers (24 fasteners)

## 5.2 Bus Bar and Capacitor Assembly



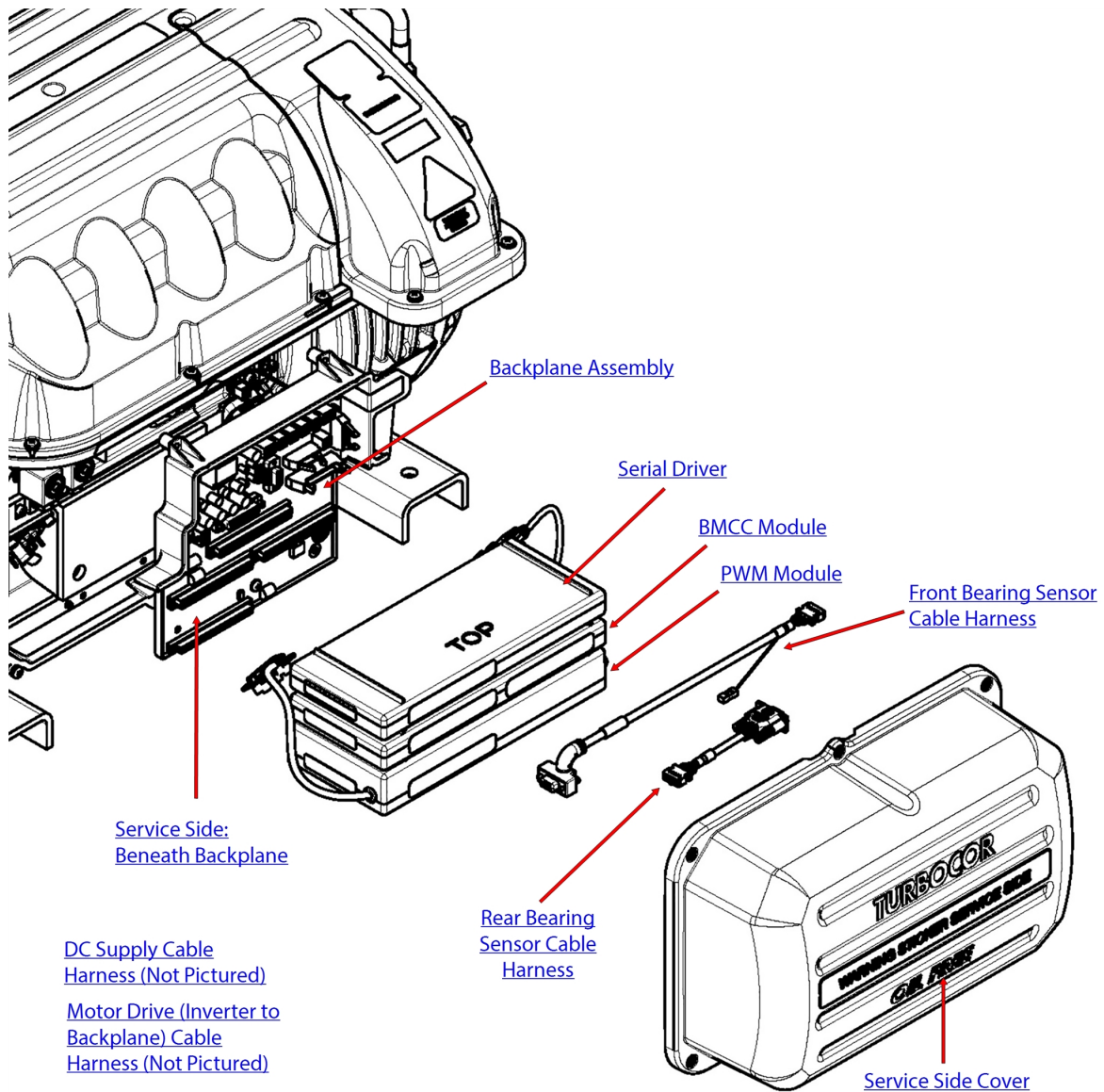
DESCRIPTION	PART NO.	APPLIES TO	MAJOR REV	COMMENT
(1) DC CAPACITOR ASSY, 6800 $\mu$ F (460V)	100044-7	<ul style="list-style-type: none"> <li>TTS300/TGS230</li> </ul>	-N, -P, -C, -D, -E, -F, -G, -H	For use with 460V models, includes nylon nuts
(1) DC CAPACITOR ASSY, 4700 $\mu$ F (575V)	100044-8	<ul style="list-style-type: none"> <li>TTS300/TGS230</li> </ul>	-N, -P, -C, -D, -E, -F, -G, -H	For use with 575V models, includes nylon nuts
(1) DC CAPACITOR ASSY, 9000 $\mu$ F (380/400V)	100044-6	<ul style="list-style-type: none"> <li>TTS300/TGS230</li> </ul>	-N, -P, -C, -D, -E, -F, -G, -H	For use with 380/400V models, includes nylon nuts
(2) DC CAPACITOR ASSY, 11000 $\mu$ F (380/400V)	100044-11	<ul style="list-style-type: none"> <li>TTS350/TTS400/TTS450/TTS500/TTS700</li> <li>TGS310/TGS380/TGS390/TGS490/TGS520</li> <li>TTH375/TGH285</li> </ul>	-P, -A, -C, -E, -F	For use with 380V and 400V models, includes nylon nuts
(3) DC CAPACITOR ASSY, 11000 $\mu$ F (380/400V)	100044-14	<ul style="list-style-type: none"> <li>TTS350/TTS400/TTS450/TTS500/TTS700</li> <li>TGS310/TGS380/TGS390/TGS490/TGS520</li> <li>TTH375/TGH285</li> </ul>	-H	For use with 380V and 400V models, includes nylon nuts
(2) DC CAPACITOR ASSY, 6800 $\mu$ F (575V)	100044-13	<ul style="list-style-type: none"> <li>TTS350/TTS400/TTS450/TTS500/TTS700</li> <li>TGS310/TGS380/TGS390/TGS490/TGS520</li> <li>TTH375/TGH285</li> </ul>	-C, -E, -F	For use with 575V models, includes nylon nuts
(3) DC CAPACITOR ASSY, 6800 $\mu$ F (575V)	100044-16	<ul style="list-style-type: none"> <li>TTS350/TTS400/TTS450/TTS500/TTS700</li> <li>TGS310/TGS380/TGS390/TGS490/TGS520</li> <li>TTH375/TGH285</li> </ul>	-H	For use with 575V models, includes nylon nuts
(2) DC CAPACITOR ASSY, 8500 $\mu$ F (460V)	100044-12	<ul style="list-style-type: none"> <li>TTS350/TTS400/TTS450/TTS500/TTS700</li> <li>TGS310/TGS380/TGS390/TGS490/TGS520</li> <li>TTH375/TGH285</li> </ul>	-P, -A, -C, -E, -F	For use with 460V models, includes nylon nuts
(3) DC CAPACITOR ASSY, 8500 $\mu$ F (460V)	100044-15	<ul style="list-style-type: none"> <li>TTS350/TTS400/TTS450/TTS500/TTS700</li> <li>TGS310/TGS380/TGS390/TGS490/TGS520</li> <li>TTH375/TGH285</li> </ul>	-H	For use with 460V models, includes nylon nuts

**THIS PAGE INTENTIONALLY LEFT BLANK**



Chapter 6.0 Service Side

This section details the spare part kits available on the service side of the compressor underneath the Service Side cover.

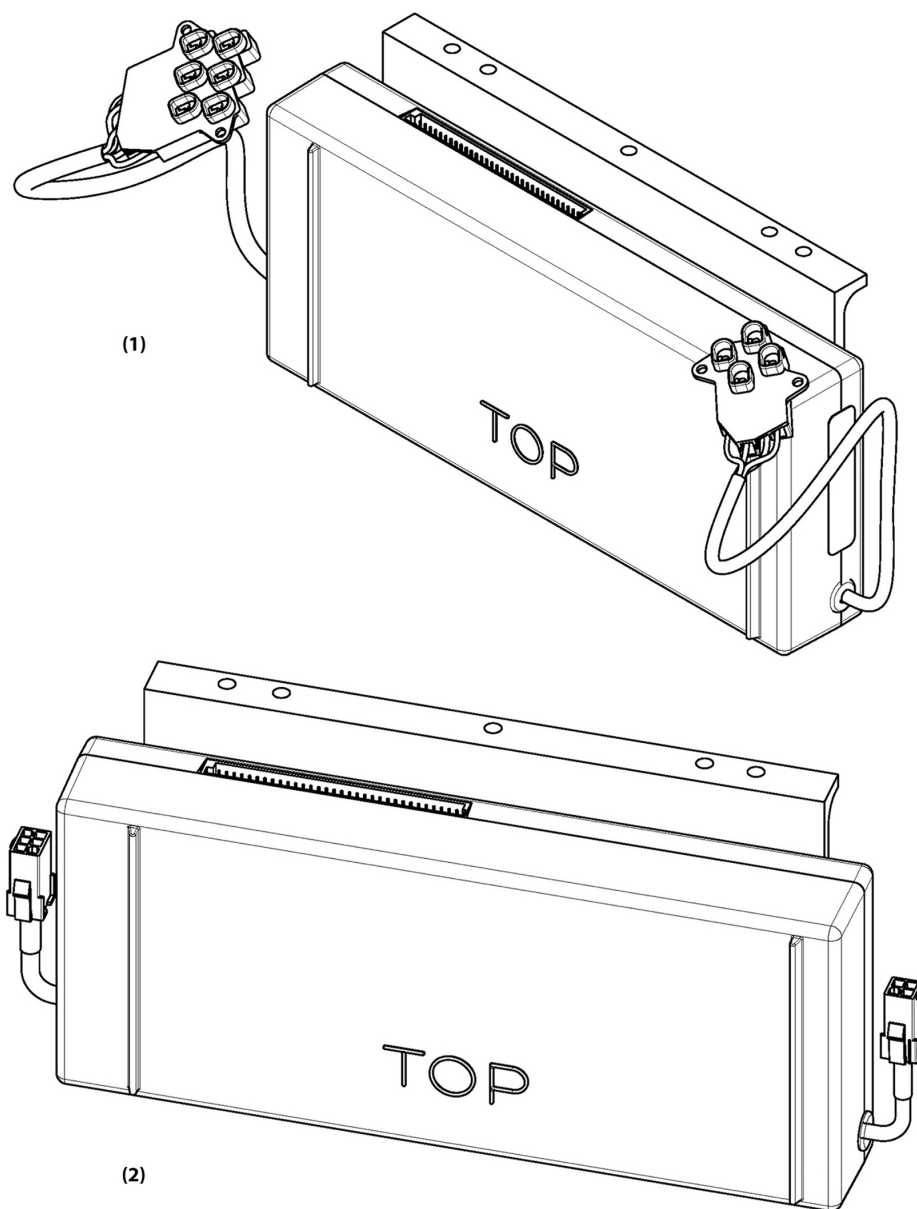


6.1 Cover



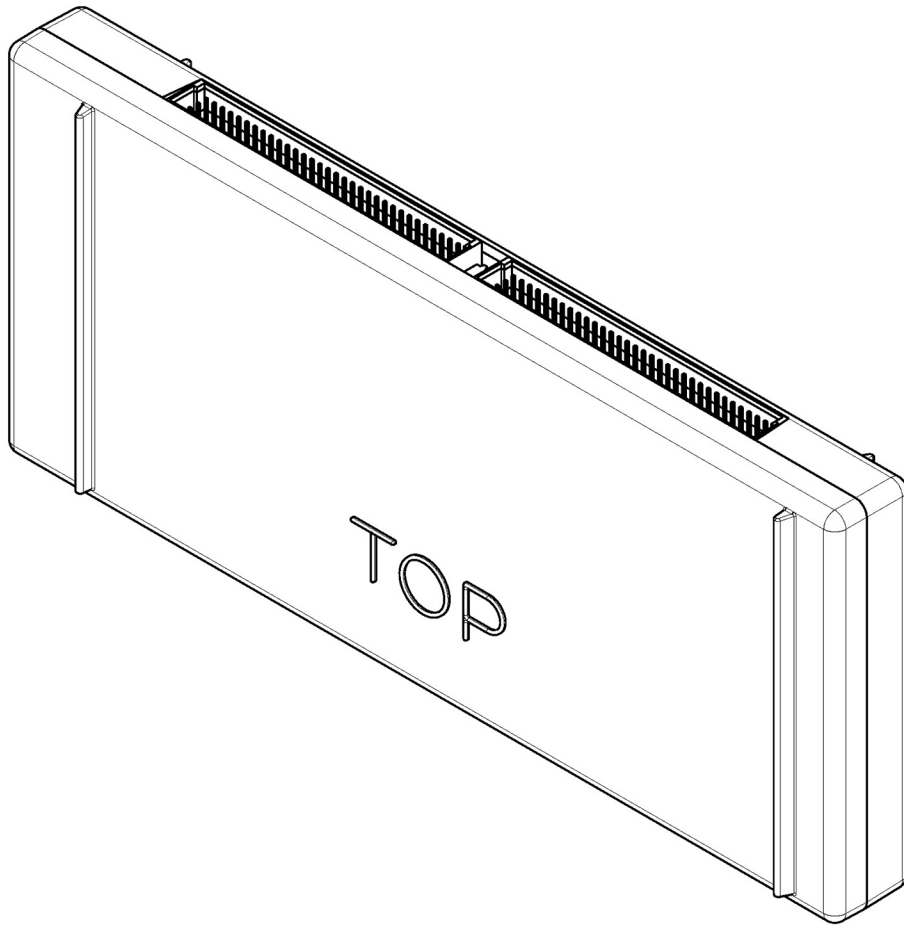
DESCRIPTION	PART NO.	APPLIES TO	MAJOR REV	COMMENT
SERVICE SIDE COVER , BLACK	100055-3	<ul style="list-style-type: none"> <li>TTS300/TTS350/TTS400/TTS450/TTS500/TTS700</li> <li>TTH375</li> </ul>	ALL	Includes fasteners
SERVICE SIDE COVER, GREEN	100055-6	<ul style="list-style-type: none"> <li>TGS230/TGS310/TGS380/TGS390/TGS490/TGS520</li> <li>TGH285</li> </ul>	ALL	Includes fasteners
COVERS SCREW, M5, STAINLESS	100252	ALL COMPRESSORS	ALL	Replaces fasteners for all four (4) covers (24 fasteners)

## 6.2 Pulse Width Modulation (PWM) Module



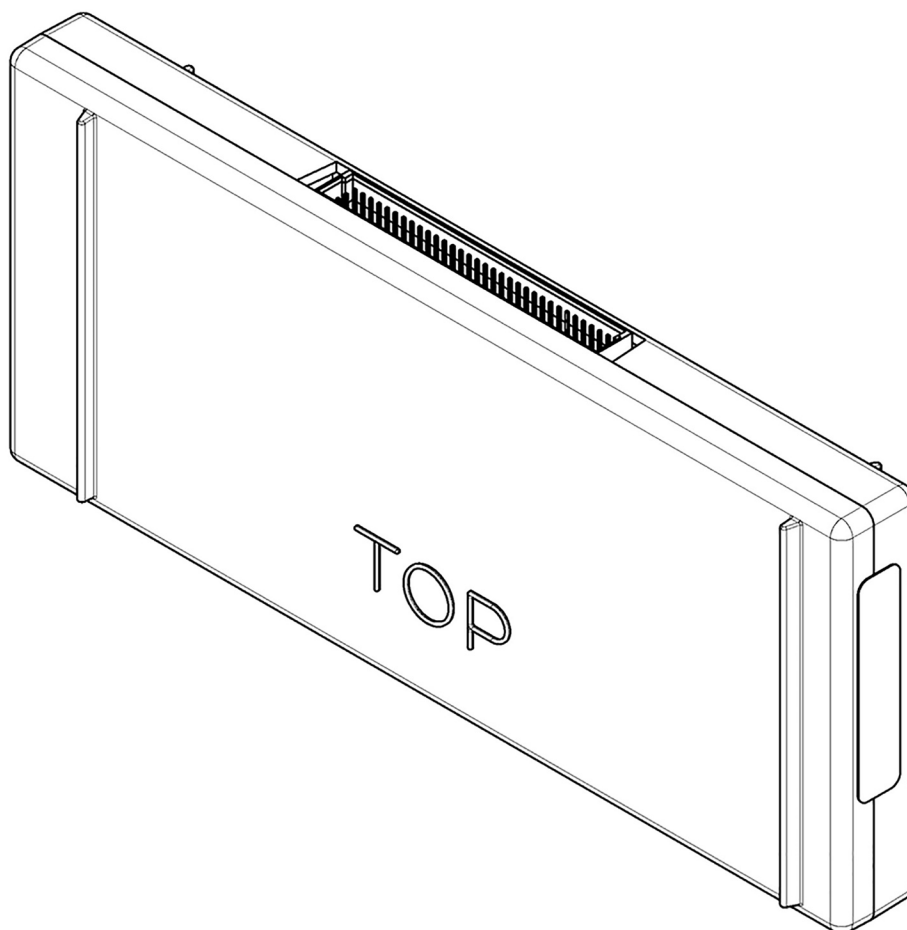
DESCRIPTION	PART NO.	APPLIES TO	MAJOR REV	COMMENT
(1) BEARING PWM	100022	ALL COMPRESSORS	-N, -P, -A, -C, -D, -E	Includes fasteners
(2) BEARING PWM	100372	ALL COMPRESSORS	-F, -G, -H	Includes fasteners

### 6.3 Bearing Motor Compressor Control (BMCC) Module



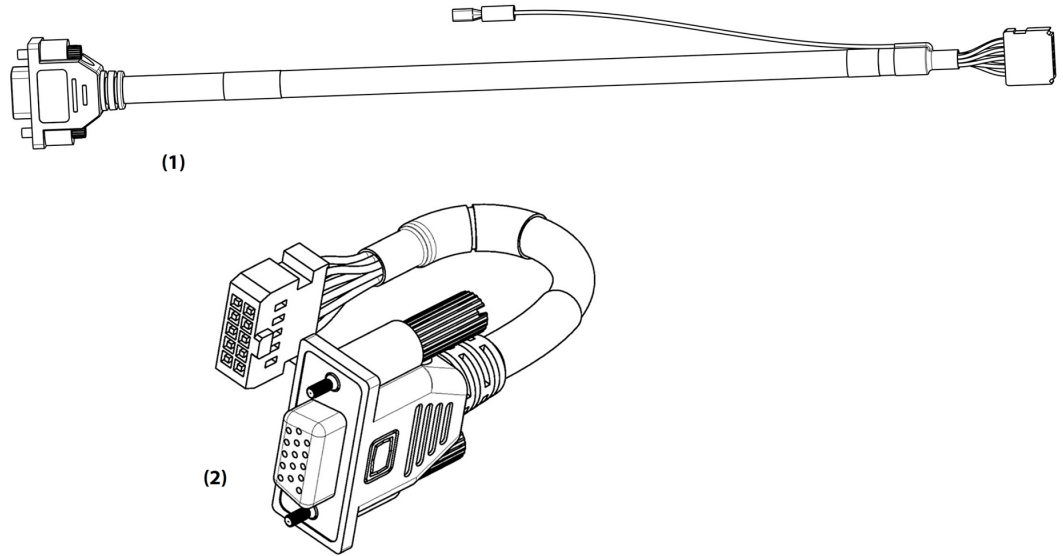
DESCRIPTION	PART NO.	APPLIES TO	MAJOR REV	COMMENT
BEARING MOTOR COMPRESSOR CONTROL (BMCC)	201055- xxxxxxx-xxx	ALL COMPRESSORS	ALL	Specific compressor software part number used in place of -xxxxxxx-xxx, Contains BMCC with compressor specific software only

6.4 Serial Driver



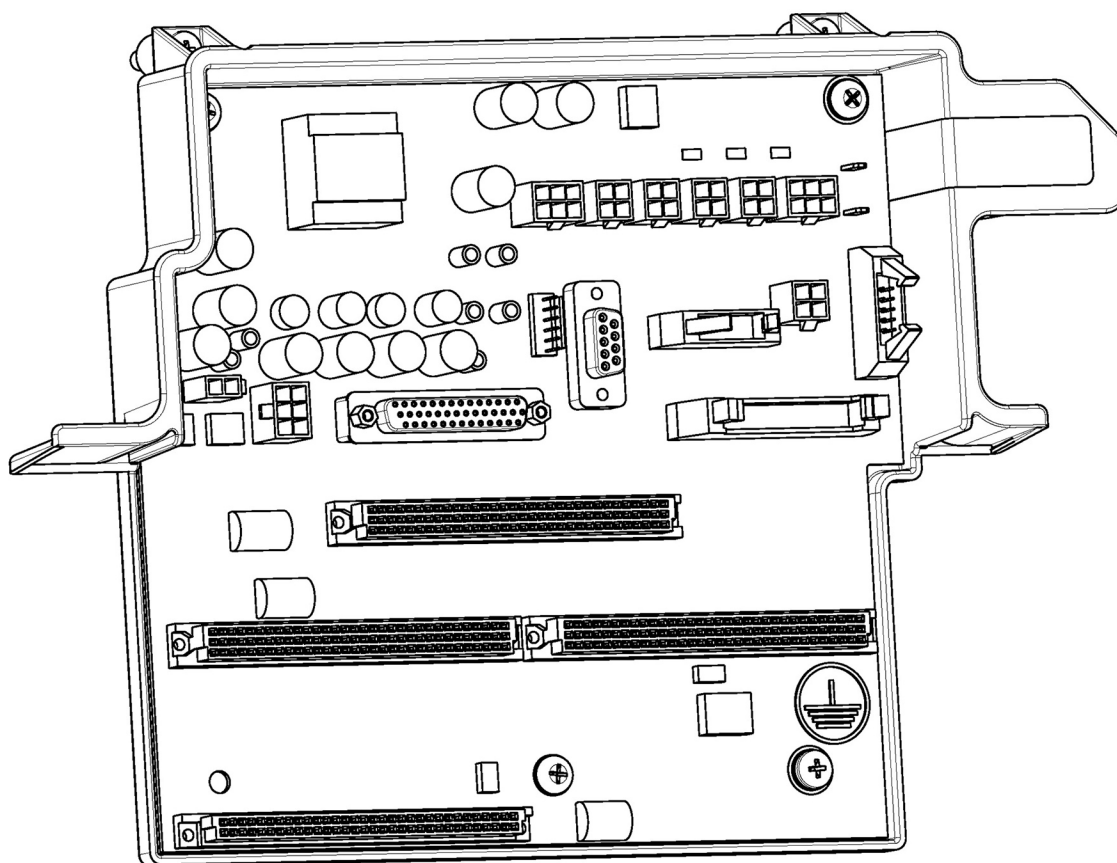
DESCRIPTION	PART NO.	APPLIES TO	MAJOR REV	COMMENT
SERIAL DRIVER	100292	ALL COMPRESSORS	ALL	Serial Driver Only

**6.5 Rear/ Front Bearing Sensor Cable Harness**



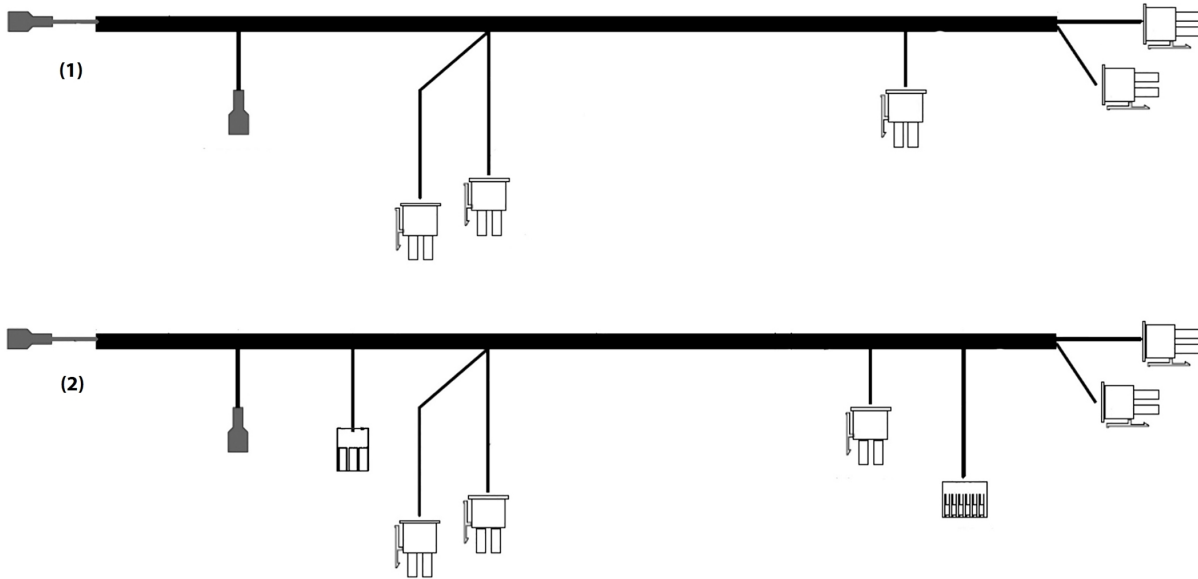
DESCRIPTION	PART NO.	APPLIES TO	MAJOR REV	COMMENT
(1) REAR BEARING SENSOR CABLE HARNESS	100065	ALL COMPRESSORS	ALL	Cable Only
(2) FRONT BEARING SENSOR CABLE HARNESS	100064	ALL COMPRESSORS	ALL	Cable Only

### 6.6 Backplane Assembly



DESCRIPTION	PART NO.	APPLIES TO	MAJOR REV	COMMENT
BACKPLANE ASSEMBLY	100021-1	ALL COMPRESSORS	ALL	Includes screws and washers

## 6.7 DC Supply Cable Harness



DESCRIPTION	PART NO.	APPLIES TO	MAJOR REV	COMMENT
(1) DC SUPPLY CABLE HARNESS	100323	ALL COMPRESSORS	-N, -P, -A, -C, -D, -E	Cable Only
(2) DC SUPPLY CABLE HARNESS	100323-2	ALL COMPRESSORS	-F, -G, -H	Cable Only Soft Start Temperature Sensor is only required in CC Firmware Revision 4.x and later

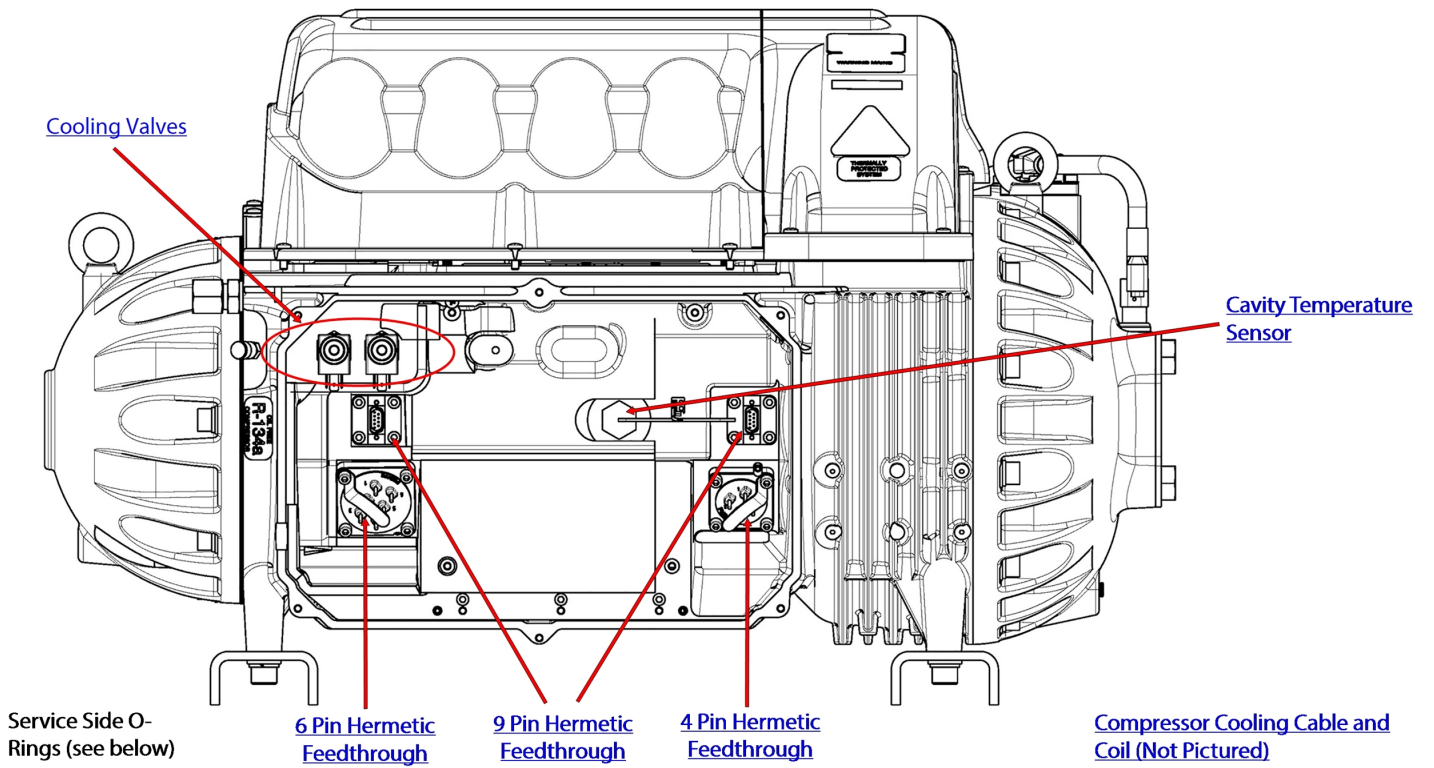


### 6.8 Motor Drive (Inverter to Backplane) Cable Harness



DESCRIPTION	PART NO.	APPLIES TO	MAJOR REV	COMMENT
MOTOR DRIVE CABLE HARNESS	100061	ALL COMPRESSORS	ALL	Cable Only

### 6.9 Service Side Beneath Backplane



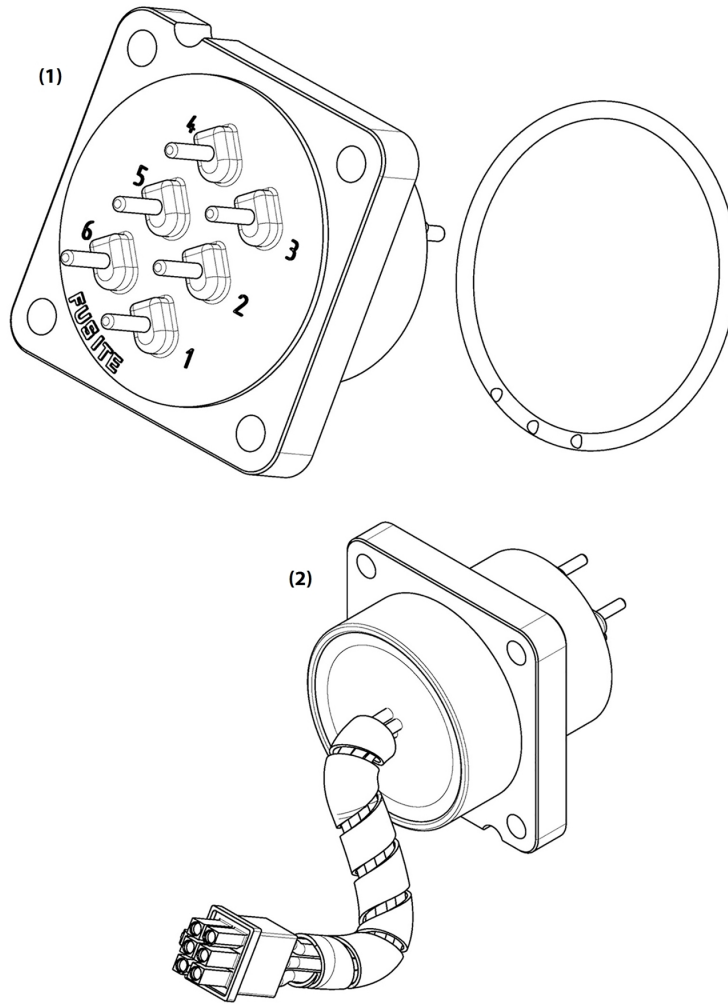
DESCRIPTION	PART NO.	APPLIES TO	MAJOR REV	COMMENT
O-RINGS, SERVICE SIDE, SMALL	100052-2	ALL COMPRESSORS	ALL	Includes O-rings for cooling valves, 6 Pin, 4 Pin, and 9 Pin Hermetic Feedthroughs
O-RING, SOLENOID ORIFICE	100242	ALL COMPRESSORS	ALL	Only replaces cooling valve O-rings

**6.10 Compressor Cooling Cable and Coil Assembly**



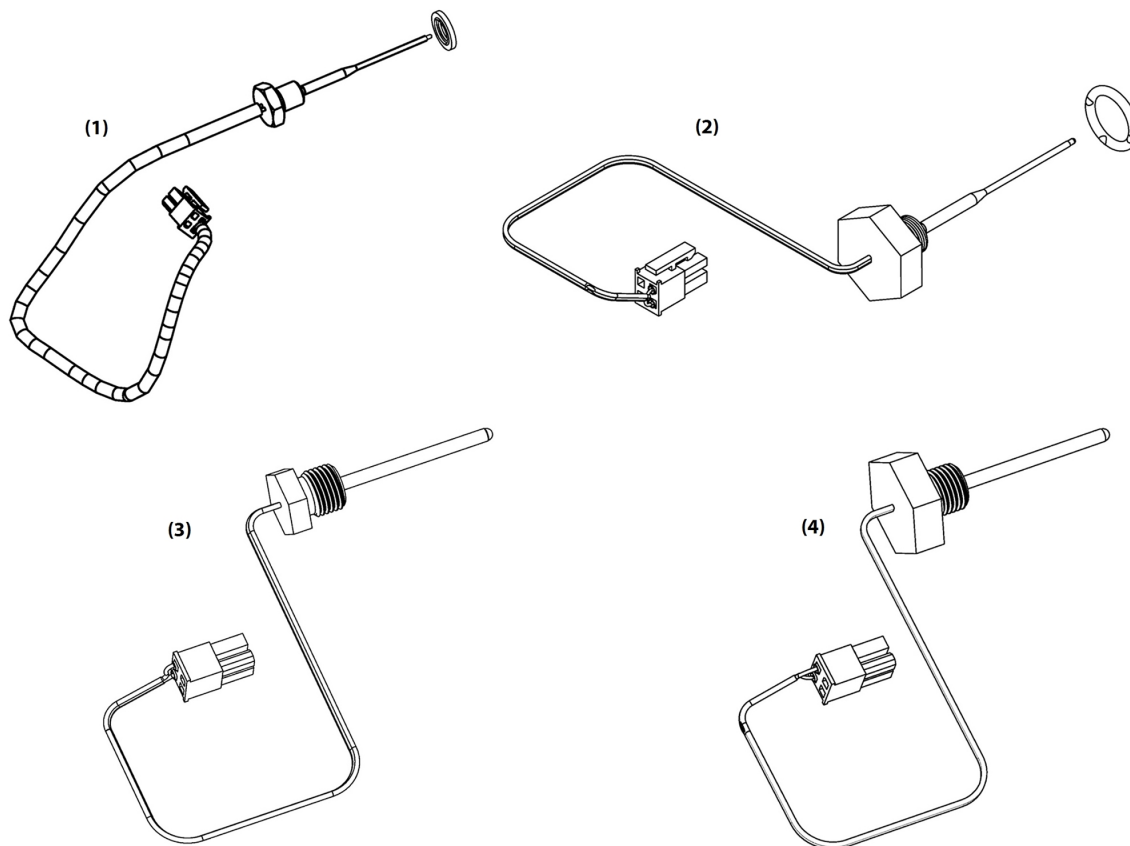
DESCRIPTION	PART NO.	APPLIES TO	MAJOR REV	COMMENT
COMPRESSOR COOLING CABLE/COIL ASSY	100063-1	ALL COMPRESSORS	ALL	Includes nut and washer

### 6.11 6 Pin Hermetic Feedthrough



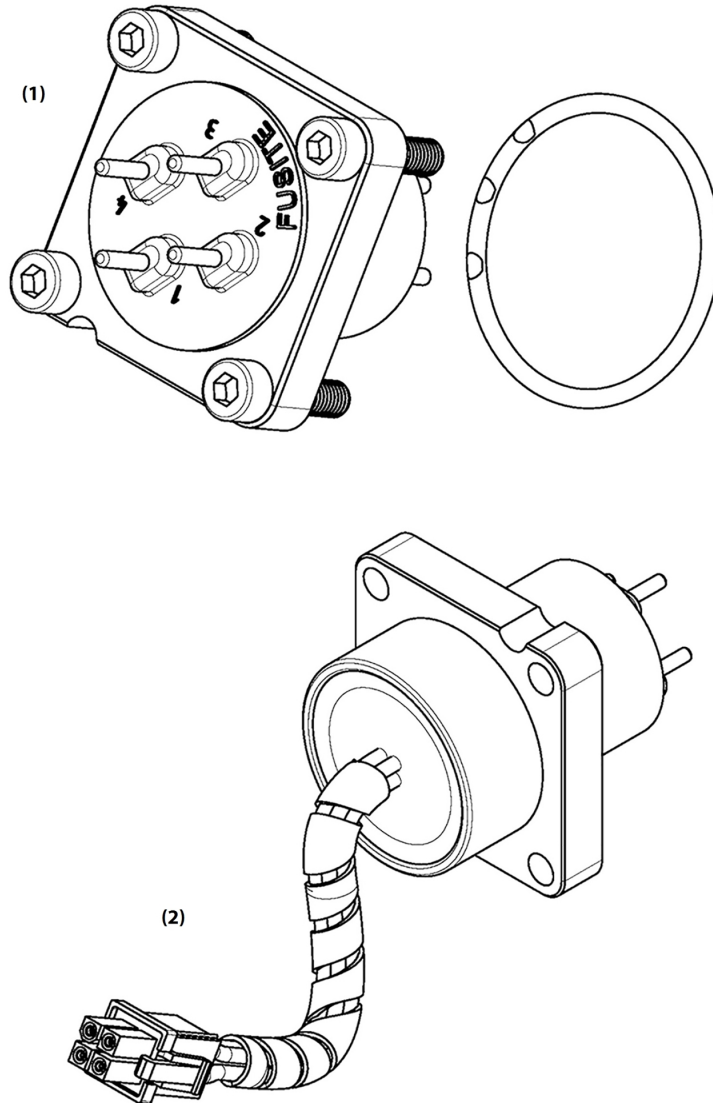
DESCRIPTION	PART NO.	APPLIES TO	MAJOR REV	COMMENT
(1) FEEDTHROUGH, 6 PIN	100294-1	ALL COMPRESSORS	-N, -P, -A, -C, -D, -E	Includes O-ring and fasteners
(2) FEEDTHROUGH, 6 PIN	100371	ALL COMPRESSORS	-F, -G, -H	Includes O-ring and fasteners

## 6.12 Cavity Temperature Sensor/Motor Rotor



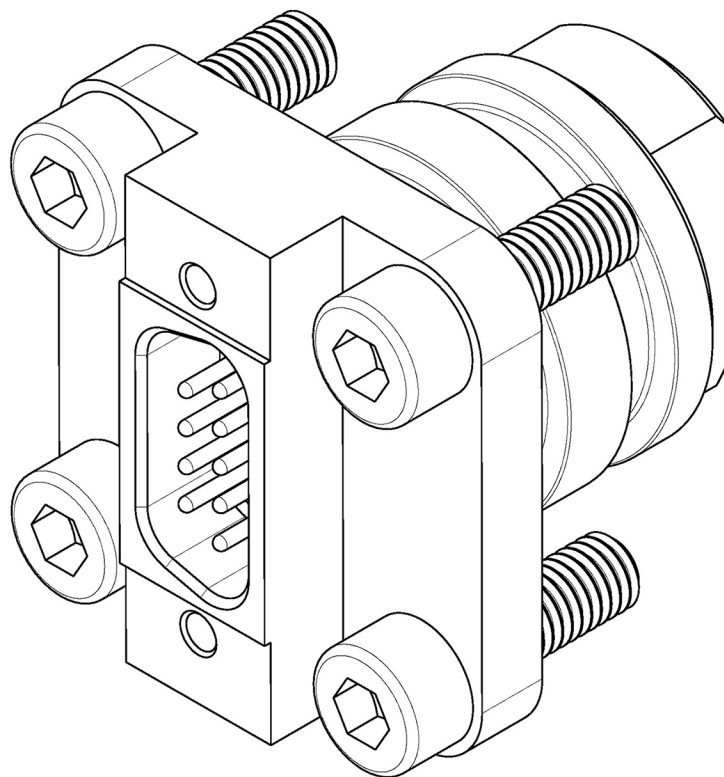
DESCRIPTION	PART NO.	APPLIES TO	MAJOR REV	COMMENT
(1) CAVITY TEMP SENSOR	100034	<ul style="list-style-type: none"> <li>TTS300/TTS350/TTS400</li> </ul>	-N, -P, -A, -C, -D	Do not use if compressor PN ends in "-3" Includes Sensor and Seal <b>(16mm sensor head)</b>
(2) CAVITY TEMP SENSOR	100196-3	<ul style="list-style-type: none"> <li>TTS300/TTS350/TTS400/TTS450</li> <li>TGS230/TGS310/TGS380/TGS390/TGS490</li> <li>TTH375/TGH285</li> </ul>	-E, -F, -G, -H	Also use if compressor part number ends in "-3", Includes O-ring <b>(15/16" sensor head)</b>
(3) CAVITY TEMP SENSOR	100034-1	<ul style="list-style-type: none"> <li>TTS500</li> </ul>	-A	Do not use if compressor PN ends in "-3", Includes O-ring <b>(16mm sensor head)</b>
(4) CAVITY TEMP SENSOR	100196-4	<ul style="list-style-type: none"> <li>TTS500/TTS700</li> <li>TGS520</li> </ul>	-E, -F, -G, -H	Also use if compressor part number ends in "-3", includes O-ring <b>(15/16" sensor head)</b>

### 6.13 4-Pin Hermetic Feedthrough



DESCRIPTION	PART NO.	APPLIES TO	MAJOR REV	COMMENT
(1) FEEDTHROUGH, 4 PIN	100293-1	ALL COMPRESSORS	-N, -P, -A, -C, -D, -E	Includes O-ring and fasteners
(2) FEEDTHROUGH, 4 PIN	100370	ALL COMPRESSORS	-F, -G, -H	Includes O-ring and fasteners

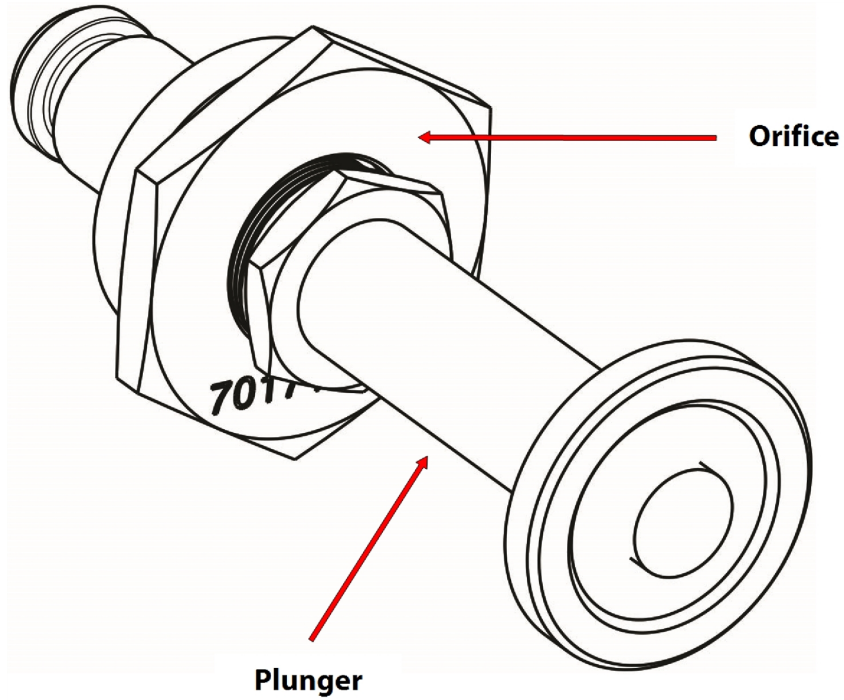
**6.14 9-Pin Hermetic Feedthrough**



DESCRIPTION	PART NO.	APPLIES TO	MAJOR REV	COMMENT
FEEDTHROUGH, 9 PIN	100295-1	ALL COMPRESSORS	ALL	Includes O-ring and fasteners

### 6.15 Cooling Valves Assembly

Each Cooling Valve Assembly spare part kit contains two (2) Plunger Assemblies, two (2) Orifices for the Inverter and Motor Cavity ports, and the O-rings required to replace them. The table on the following page is organized so that each row contains all of the related cooling valve kits. Plunger Assembly kits include O-rings, which cannot be ordered separately. Orifice kits do not include O-rings therefore they must be purchased separately.



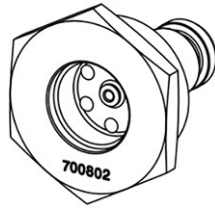


## 6.16 Cooling Valves

Refer to the table below to select the proper Cooling Valve Assembly. Match the model and voltage of the compressor to determine the appropriate part number.

COOLING VALVE ASSEMBLY				
COMPRESSOR MODELS	COMPRESSOR VOLTAGE			
	380V	400V	460V	575V
<b>TGS230</b>	100281-2	100281-2	100281-2	100281-2
<b>TGH285</b>	100281-5	100281-5	100281-5	100281-5
<b>TTS300</b>	100281-2	100281-2	100281-2	100281-2
<b>TGS310</b>	100281-1	100281-1	100281-1	100281-1
<b>TTS350</b>	100281-5	100281-5	100281-5	100281-5
<b>TTH375</b>	100281-5	100281-5	100281-5	100281-5
<b>TGS380</b>	100281-5	100281-5	100281-5	100281-5
<b>TGS390</b>	100281-4	100281-4	100281-4	100281-1
<b>TTS400</b>	100281-4	100281-4	100281-4	100281-1
<b>TTS450</b>	100281-5	100281-5	100281-5	100281-5
<b>TGS490</b>	100281-5	100281-5	100281-5	100281-5
<b>TTS500</b>	N/A	100281-3	100281-3	100281-3
<b>TGS520</b>	100281-3	100281-3	100281-3	100281-3
<b>TTS700</b>	100281-3	100281-3	100281-3	100281-3

### 6.16.1 Orifice Body



Refer to the table below to select the proper orifice. Match the model and voltage of the compressor to determine the appropriate part number. You will also need to purchase an O-ring set for each orifice kit. The part number for the O-ring set is 100242.

ORIFICE BODY				
COMPRESSOR MODELS	COMPRESSOR VOLTAGE			
	380V	400V	460V	575V
<b>TGS230 (Motor &amp; Electronics)</b>	100236	100236	100236	100236
<b>TGH285 (Motor)</b>	100238	100238	100238	100238
<b>TGH285 (Electronics)</b>	100239	100239	100239	100239
<b>TTS300 (Motor &amp; Electronics)</b>	100236	100236	100236	100236
<b>TGS310 (Motor)</b>	100239	100239	100239	100239
<b>TGS310 (Electronics)</b>	100240	100240	100240	100240
<b>TTS350 (Motor)</b>	100238	100238	100238	100238
<b>TTS350 (Electronics)</b>	100239	100239	100239	100239
<b>TTH375 (Motor)</b>	100238	100238	100238	100238
<b>TTH375 (Electronics)</b>	100239	100239	100239	100239
<b>TGS380 (Motor)</b>	100238	100238	100238	100238
<b>TGS380 (Electronics)</b>	100239	100239	100239	100239
<b>TGS390 (Motor)</b>	100240	100240	100240	100239
<b>TGS390 (Electronics)</b>	100240	100240	100240	100240
<b>TTS400 (Motor)</b>	100240	100240	100240	100239
<b>TTS400 (Electronics)</b>	100240	100240	100240	100240
<b>TTS450 (Motor)</b>	100238	100238	100238	100238
<b>TTS450 (Electronics)</b>	100239	100239	100239	100239
<b>TGS490 (Motor)</b>	100238	100238	100238	100238
<b>TGS490 (Electronics)</b>	100239	100239	100239	100239
<b>TTS500 (Motor)</b>	100238	100238	100238	100238
<b>TTS500 (Electronics)</b>	100240	100240	100240	100240
<b>TGS520 (Motor)</b>	100238	100238	100238	100238
<b>TGS520 (Electronics)</b>	100240	100240	100240	100240
<b>TTS700 (Motor)</b>	100238	100238	100238	100238
<b>TTS700 (Inverter)</b>	100240	100240	100240	100240

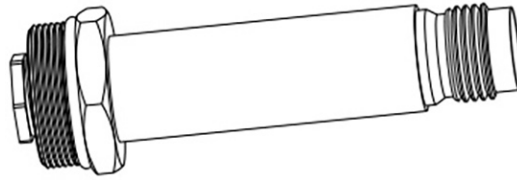
**NOTE**

No O-ring included in the Orifice Body kits. **Part number 100242 (O RING, SOLENOID ORIFICE) should be ordered with any orifice kit.**

The table below identifies the orifice size for each part number.

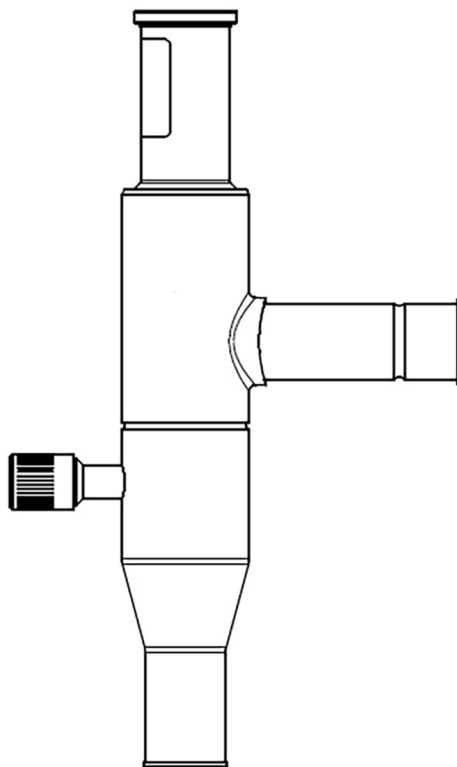
ORIFICE SIZE	PART NO.
1.3MM	100236
1.6MM	100240
2.0MM	100239
2.5MM	100238

**6.16.2 Plunger Assembly**



DESCRIPTION	PART NO.	APPLIES TO	MAJOR REV	COMMENT
PLUNGER ASSY, SOLENOID	100280	ALL COMPRESSORS	ALL	Includes one (1) plunger with O-ring

## 6.17 Pressure Regulating Valve

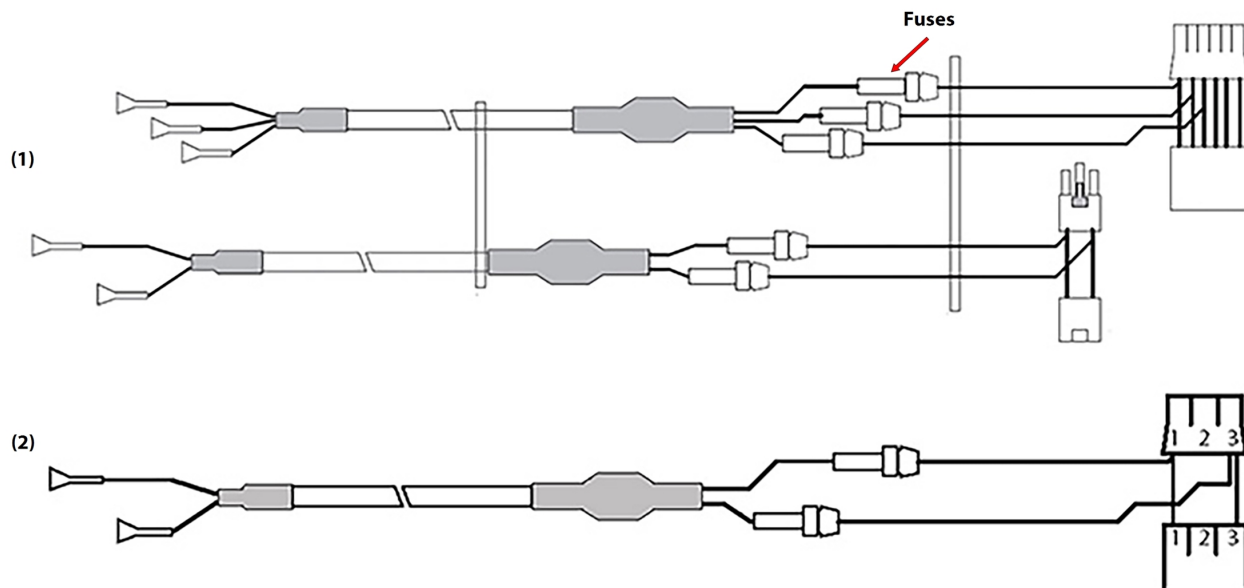


DESCRIPTION	PART NO.	APPLIES TO	MAJOR REV	COMMENT
KVP 22 EVAPORATOR PRES REG M/12	034L0025	<ul style="list-style-type: none"> <li>TTS300/TGS230 MEDIUM TEMP</li> <li>TTH375/TGH285 MEDIUM TEMP</li> </ul>	ALL	KVP 22, Inlet size [mm]: 22.00, Inlet connection type: SOLDER, ODF, Outlet size [mm]: 22.00, Outlet connection type: SOLDER, ODF

**THIS PAGE INTENTIONALLY LEFT BLANK**

## Appendix A Test Equipment

### A.1 DC Bus Test Harness



DESCRIPTION	PART NO.	APPLIES TO	MAJOR REV	COMMENT
(1) DC BUS TEST HARNESS	100326	ALL COMPRESSORS	-N, -P, -A, -C, -D, -E, -F, -G	Cable Only
(2) DC BUS TEST HARNESS	100101	ALL COMPRESSORS	-H (and compressors converted to the Open-Top Soft Start)	Cable Only

### A.2 Compact Inverter Tester

The Compact Inverter Tester allows users to verify the inverter is correctly functioning, and to verify the functionality of the inverter control card. Testing can be accomplished without the removal of the inverter assembly.

The Compact Inverter Tester provides all power necessary to interface with the inverter module during testing. This device will test the high voltage section, both top and bottom diodes of each section, and the driver board of the inverter.

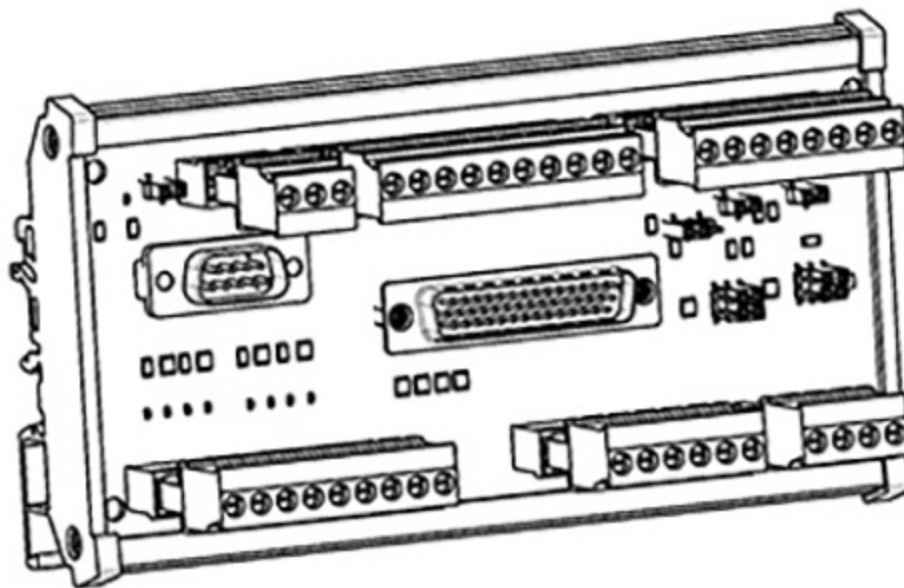
DESCRIPTION	PART NO.	APPLIES TO	MAJOR REV	COMMENT
COMPACT INVERTER TESTER	100377	ALL COMPRESSORS	ALL	Includes power adapter, AC plug (US and Europe), data cables, and user manual

**THIS PAGE INTENTIONALLY LEFT BLANK**



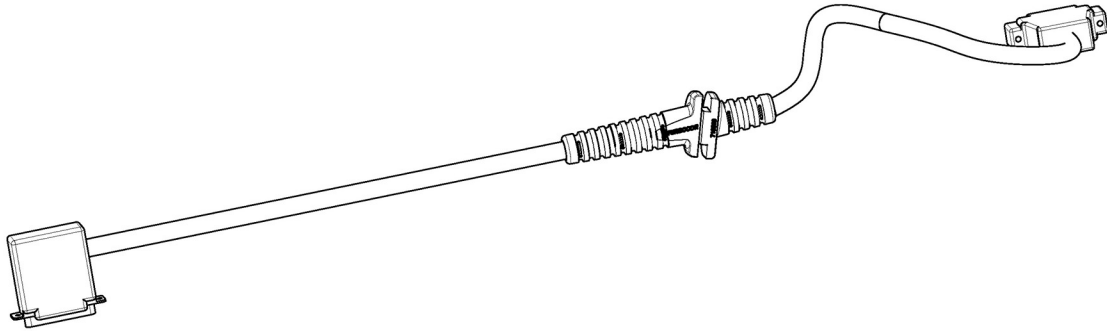
Appendix B Accessory Kits

B.1 I/O Board Assembly



DESCRIPTION	PART NO.	APPLIES TO	MAJOR REV	COMMENT
I/O BOARD ASSY	100076-1	ALL COMPRESSORS	ALL	PCB Assembly Only

## B.2 Compressor Interface Cable

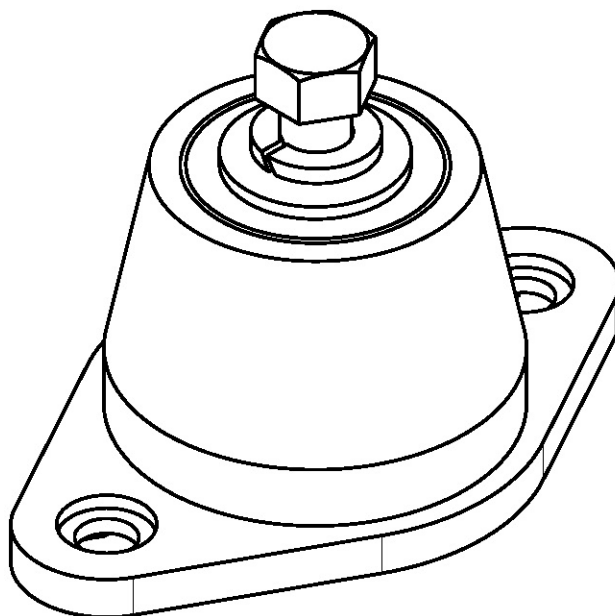


DESCRIPTION	PART NO.	APPLIES	MAJOR REV	COMMENT
COMPRESSOR INTERFACE CABLE, 5M	100058-1	ALL COMPRESSORS	ALL	Cable Only
COMPRESSOR INTERFACE CABLE, 10M	100058-4	ALL COMPRESSORS	ALL	Cable Only
COMPRESSOR INTERFACE CABLE, 20M	100058-5	ALL COMPRESSORS	ALL	Cable Only <b>(See Note below)</b>

### NOTE

Compressor Interface Cables longer than 10m (32.8 ft) of total length exceed the maximum recommended length and could lead to inconsistent and unreliable performance on communication and stepper motor interfaces. It is recommended to consult DTC Product Support to see if the 20m is appropriate for your application.

### B.3 Rubber Mounts

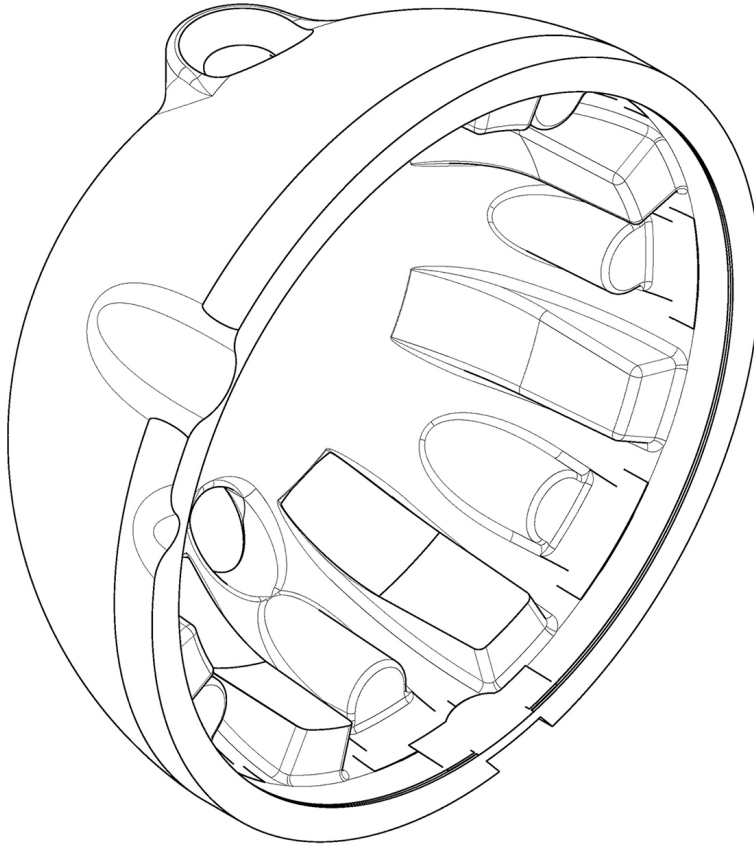


DESCRIPTION	PART NO.	APPLIES TO	MAJOR REV	COMMENT
RUBBER MOUNT	100066	ALL COMPRESSORS	ALL	Includes fasteners and washers for mounting compressor to the mount. Rubber mount to chiller fasteners are not included.

Neoprene mountings shall have a maximum static deflection of 0.4" (10mm). All metal surfaces shall be neoprene covered and have friction pads at the bottom. Bolt holes shall be provided on the bottom and a tapped hole and cap screw on top. Aluminum rails shall be used above the mountings under the compressor such as small vent sets to compensate for the overhang.

- Maximum Deflection: 10mm (0.4")
- Material: Neoprene Duro Meter 50
- Tightening Torque: 27± 3 Nm (20 ± 4 lb.ft)
- Capacity Range: 50 -107 kg (110 - 236 lb) EACH

## B.4 End Cap Insulation



DESCRIPTION	PART NO.	APPLIES TO	MAJOR REV	COMMENT
END CAP INSULATION	100147	ALL COMPRESSORS	ALL	Includes end cap insulation and silicone adhesive.

The End Bell Kit insulates the compressor's end bell to prevent condensation due to the motor-cooling circuit located on this end of the compressor.

- Size: 11 1/2" diameter
- Flame Class: HF-1
- Compatible with all compressor models
- UL approved
- Material: Polystyrene Grade 54

## EMI/EMC Filters

The Interference/Electromagnetic Compatibility (EMI/EMC) Filter minimizes harmonics in the higher frequency domain (typically above 1kHz). In order for the compressor to be CE-compliant, it should be located between the disconnect switch and the line reactor.

DESCRIPTION	PART NO.	APPLIES TO	MAJOR REV	COMMENT
EMI/EMC FILTER 322A, CE	901866	ALL COMPRESSORS	ALL	Filter only

### Specifications

Approved to UL 1283

Max leakage current each line to ground:

- 90mA @ 250VAC 60Hz
- 180mA @ 480VAC 60Hz

Designed to comply to EN 133200. CSA 22.2 No. 8

Hi Pot (1 Min)

L/G 2210VDC

L/L 2780VDC

Rated voltage: up to 480VAC max 50/60Hz (3 Phase)

Hi Pot (1 Min)

A-G, B-G, C-G (3 tests)

A-B, B-C, A-C (3 tests)

Rated current:

- 322A @ 40°C operating ambient temp

Humidity range: 0-95% R.H.

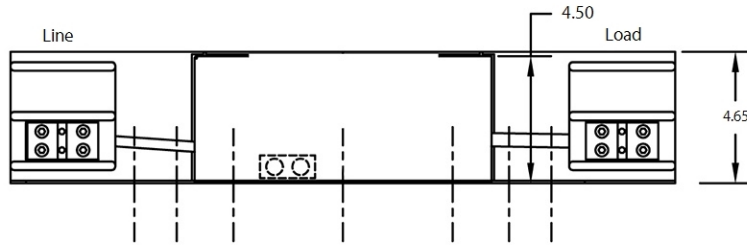
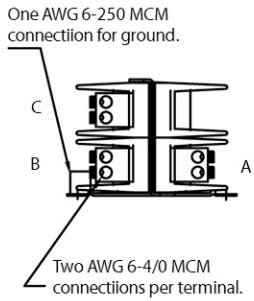
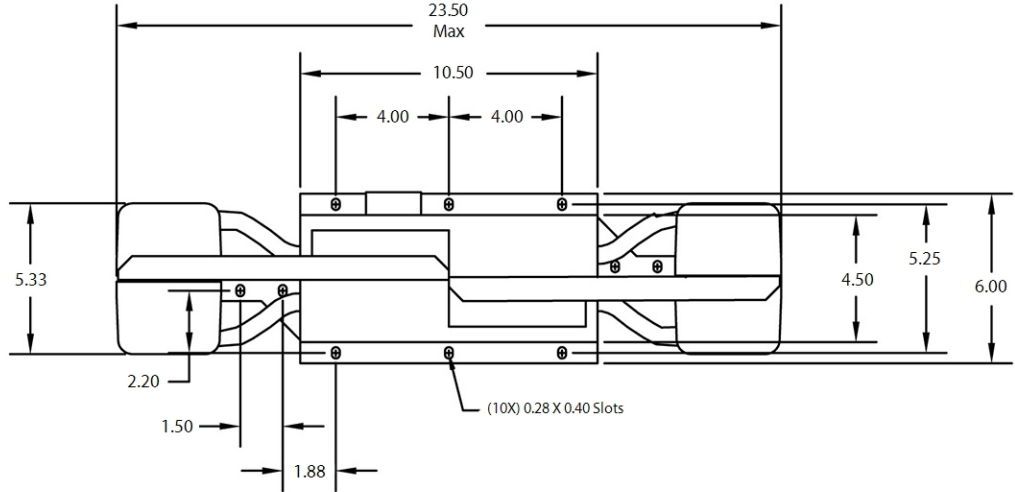
Power dissipation @ rated current: 30W max

Weight: 35 lbs max

**EMI/ECI Filters (continued)**

901866

NOTE: Torque wire lugs to 150 LB-IN



## B.5 Line Reactors

The line reactor acts as an input buffer between the motor drive power circuits and the AC line power. Line reactors provide additional circuit impedance that improves power factor, reduces line current harmonics, and dampens the transient voltages on the power line, thereby protecting the electronic motor drive components.

DESCRIPTION	PART NO.	APPLIES TO	MAJOR REV	COMMENT
LINE REACTOR 240A - 5%	901832	ALL COMPRESSORS	ALL	Line Reactor only

### Specifications

Ambient Temperature Max: 40°C (104°F)

Type: dry, air-cooled, open terminals

Flux density @ rated current: <1.6 tesla

Agency approvals:

Manufactured to UL Standard 508

UL recognized to file # E116124

CSA certified - LR86011

CE marked

Core type: high permeability silicon, non-grain-oriented (N.G.O.), laminated core

Phase/Frequency: 3-phase/ 50/60 Hz

Cooling type: air-cooled

Supply voltage: up to 480Vac (600 Max).

**Q factor at rated current, 60 Hz: approx. 22**

Rated current: 240A - 5%

Insulation class: Class H - 220

Inductance: 0.50mH ±10%

Dielectric strength tested @: 2.2kVac for 1 minute according to UL508

Total losses, basic current: approx. 500 W

Temp rise @ rated current: <155°C (<279°F)

Dimensions: 229H x 279W x 236D (in mm) 9H x 11W x 9.3D (in inches)

Mass: 43 kg (95 lbs)

Impregnation: dip and bake process to varnish, class H insulation standard

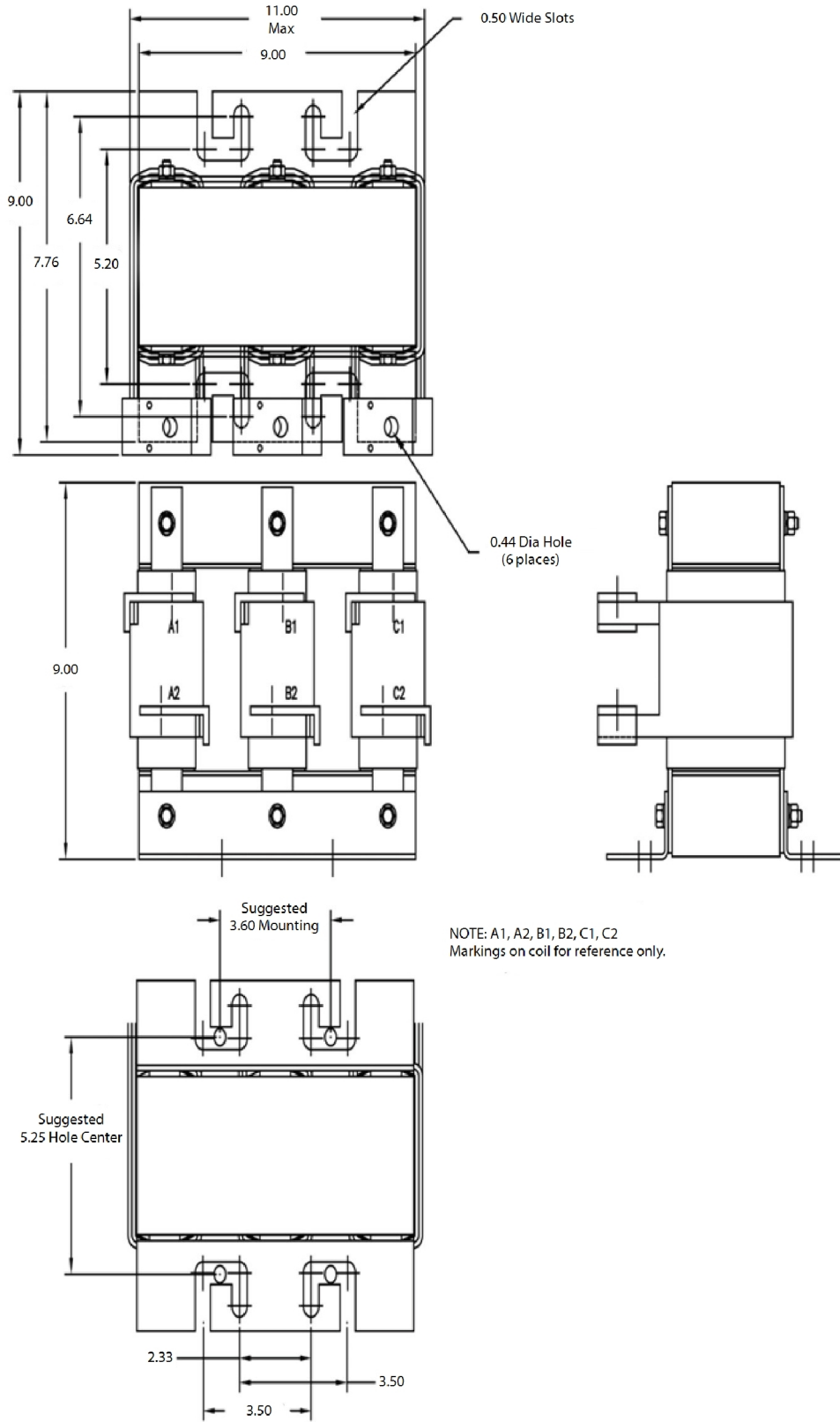
Terminals: copper bus bar, hole to suit M8 bolt

### NOTE

Failure to install a line reactor will result in a higher-than-rated current draw, larger cabling requirements, and lower power factor.

Line Reactors (continued)

901832

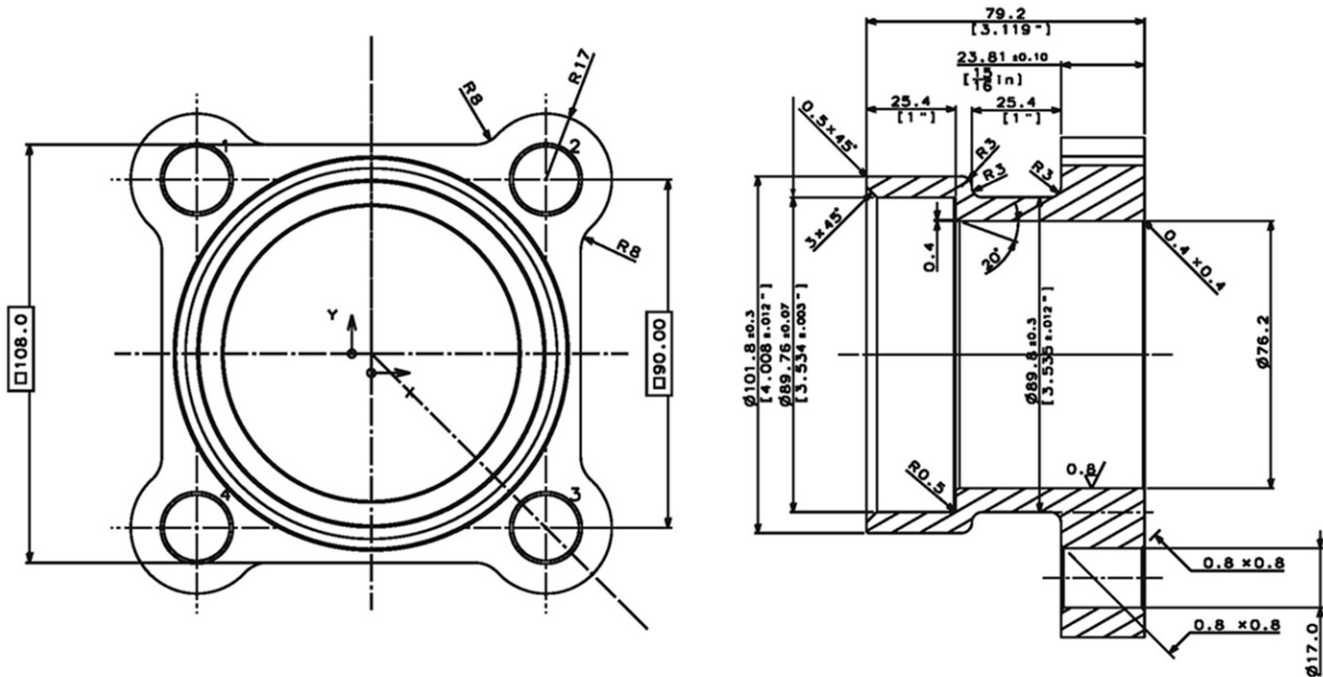




## B.6 Flanges

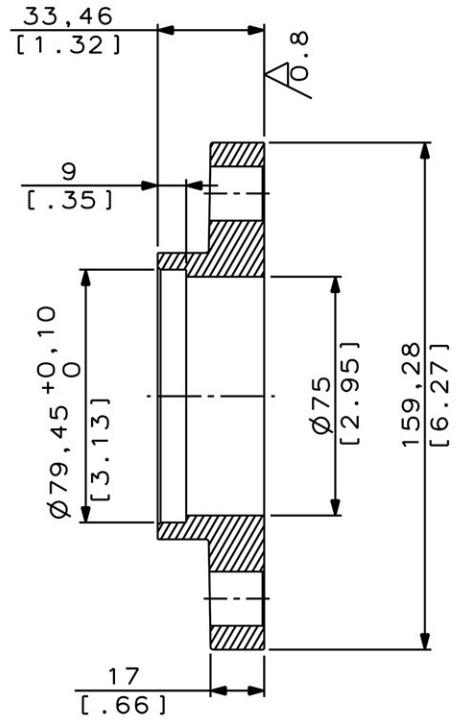
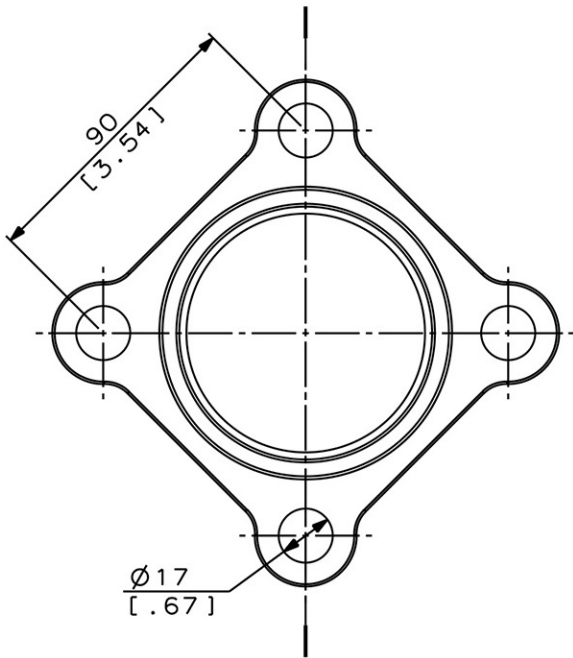
### Suction Flange

DESCRIPTION	PART NO.	APPLIES TO	MAJOR REV	COMMENT
SUCTION FLANGE, STEEL, 3 IN	100151-1	<ul style="list-style-type: none"> <li>TTS300/TTS350/TTS400/TTS450</li> <li>TGS230/TGS310/TGS380/TGS390/TGS490</li> <li>TTH375/TGH285</li> </ul>	ALL	Includes flange, fasteners, and O-ring



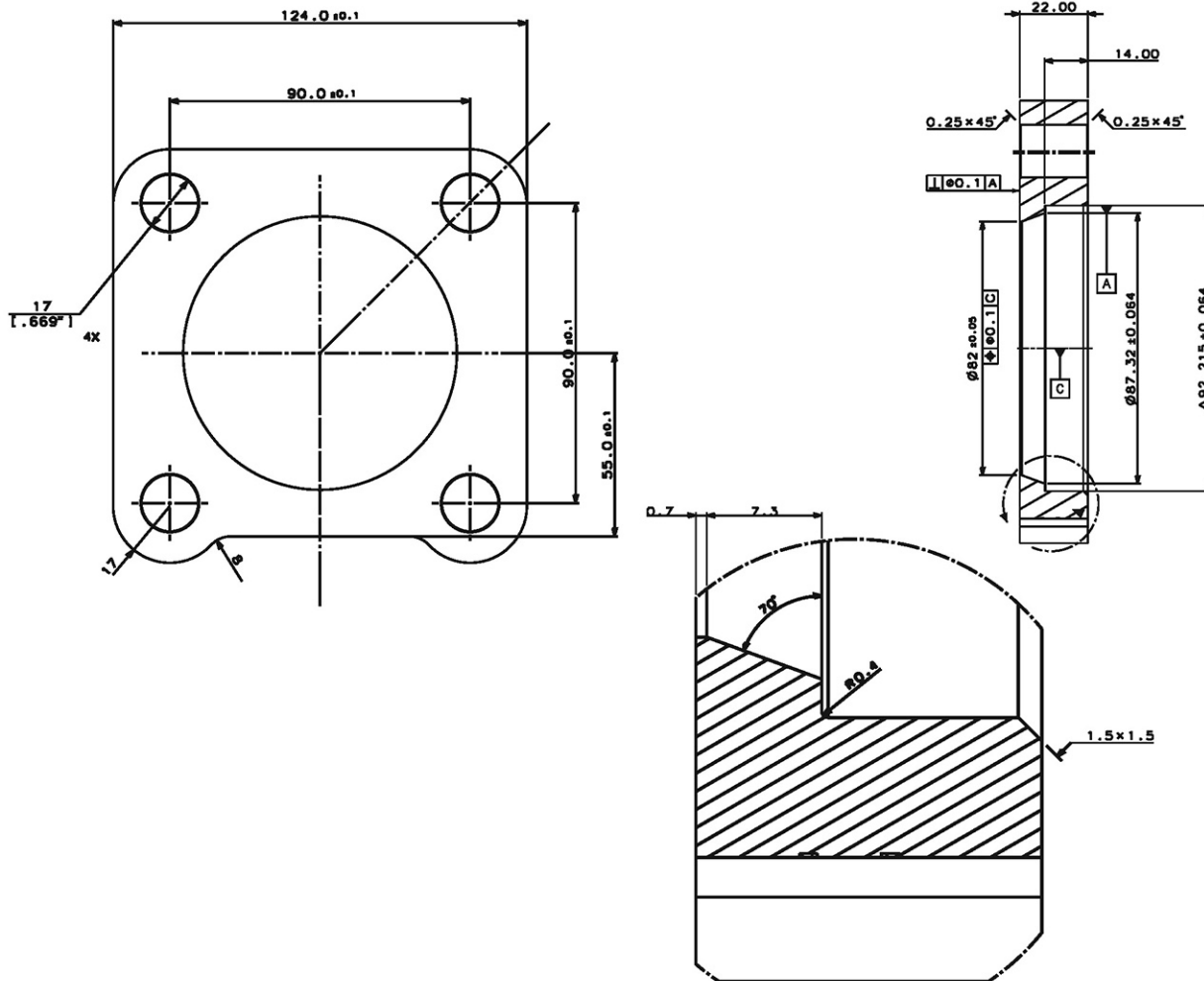
Suction Flange (continued)

DESCRIPTION	PART NO.	APPLIES TO	MAJOR REV	COMMENT
SUCTION FLANGE, BRASS, 3 IN	100402-1	<ul style="list-style-type: none"> <li>TTS300/TTS350/TTS400/TTS450</li> <li>TGS230/TGS310/TGS380/TGS390/TGS490</li> <li>TTH375/TGH285</li> </ul>	ALL	Includes flange, fasteners, and O-ring



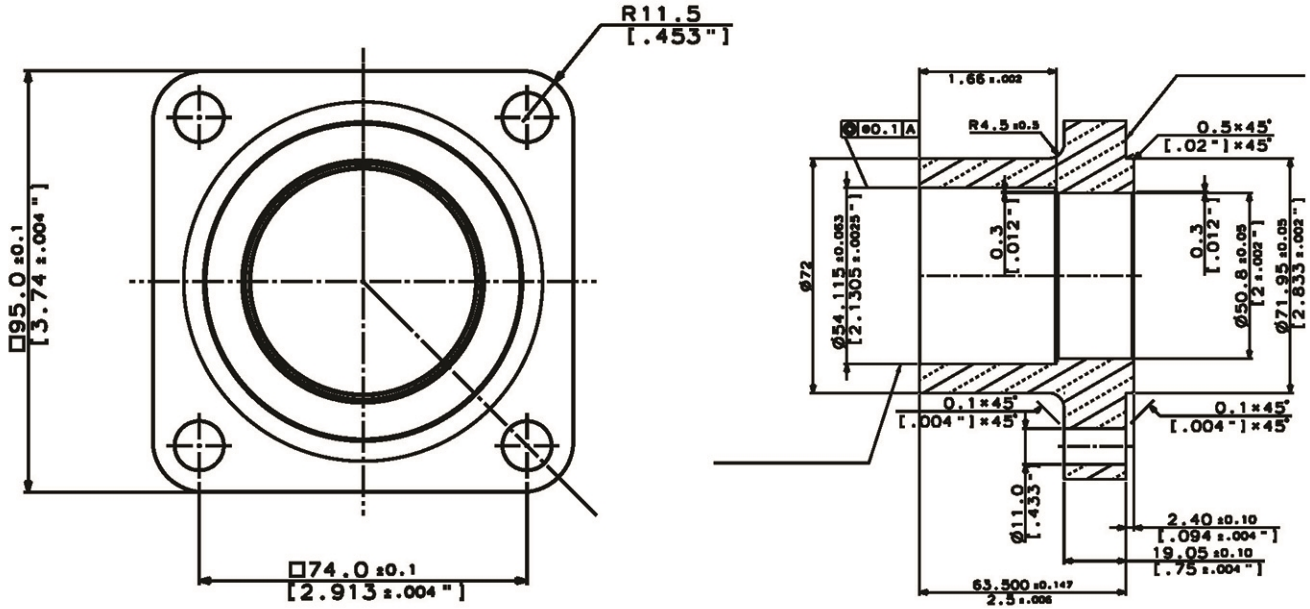
Suction Flange (continued)

DESCRIPTION	PART NO.	APPLIES TO	MAJOR REV	COMMENT
SUCTION FLANGE, BRASS, 3-5/8 IN	100378	<ul style="list-style-type: none"> <li>TTS500/TTS700</li> <li>TGS520</li> </ul>	ALL	Includes flange, fasteners, and O-ring



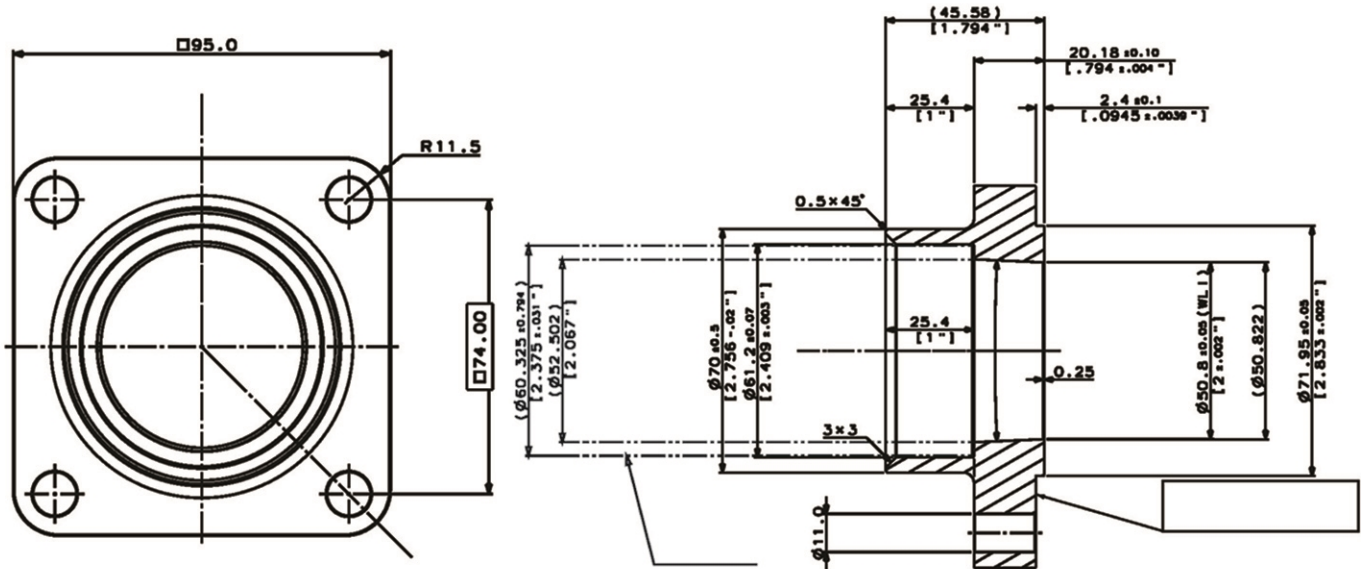
## Discharge Flange

DESCRIPTION	PART NO.	APPLIES TO	MAJOR REV	COMMENT
DISCHARGE FLANGE, BRASS, 2-1/8 IN	100152	<ul style="list-style-type: none"> <li>TTS300/TTS350/TTS400/TTS450</li> <li>TGS230/TGS310/TGS380/TGS390</li> <li>TTH375/TGH285</li> </ul>	ALL	Includes flange, fasteners, and O-ring



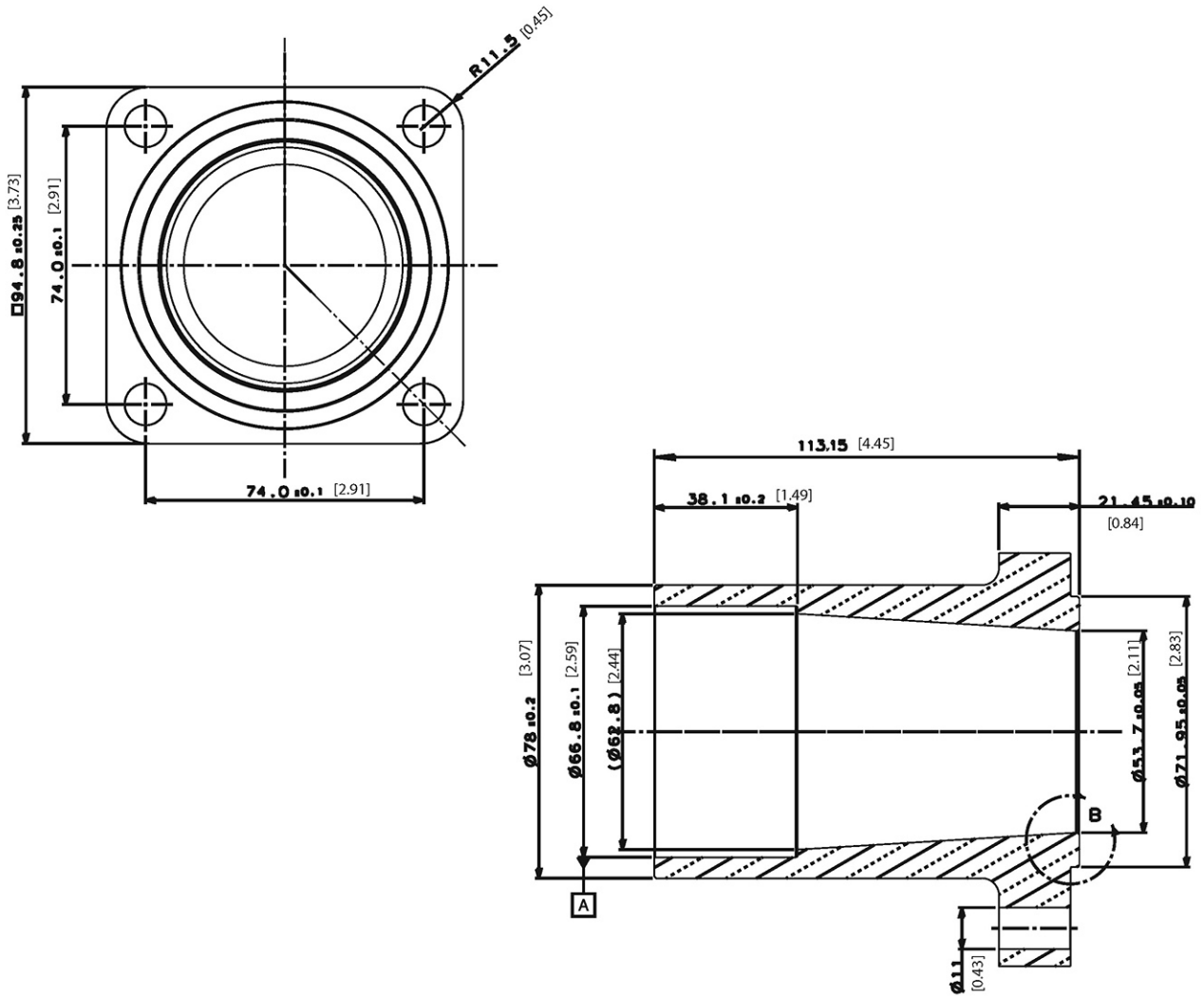
### Discharge Flange (continued)

DESCRIPTION	PART NO.	APPLIES TO	MAJOR REV	COMMENT
DISCHARGE FLANGE, STEEL, 2-1/8 IN	100153-1	<ul style="list-style-type: none"> <li>TTS300/TTS350/TTS400/TTS450</li> <li>TGS230/TGS310/TGS380/TGS390</li> <li>TTH375/TGH285</li> </ul>	ALL	Includes flange, fasteners, and O-ring



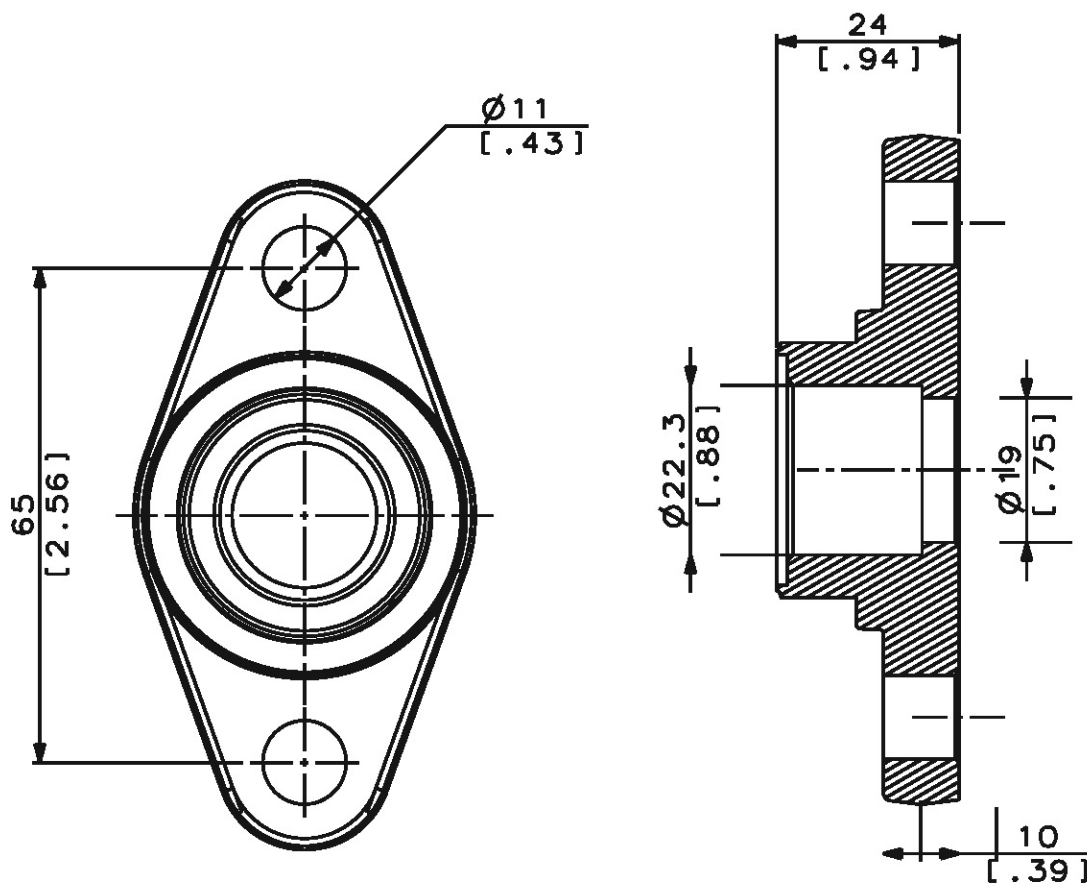
Discharge Flange (continued)

DESCRIPTION	PART NO.	APPLIES TO	MAJOR REV	COMMENT
DISCHARGE FLANGE, BRASS, 2-5/8 IN	100254	<ul style="list-style-type: none"> <li>TTS500/TTS700</li> <li>TGS490/TGS520</li> </ul>	ALL	Includes flange, fasteners, and O-ring



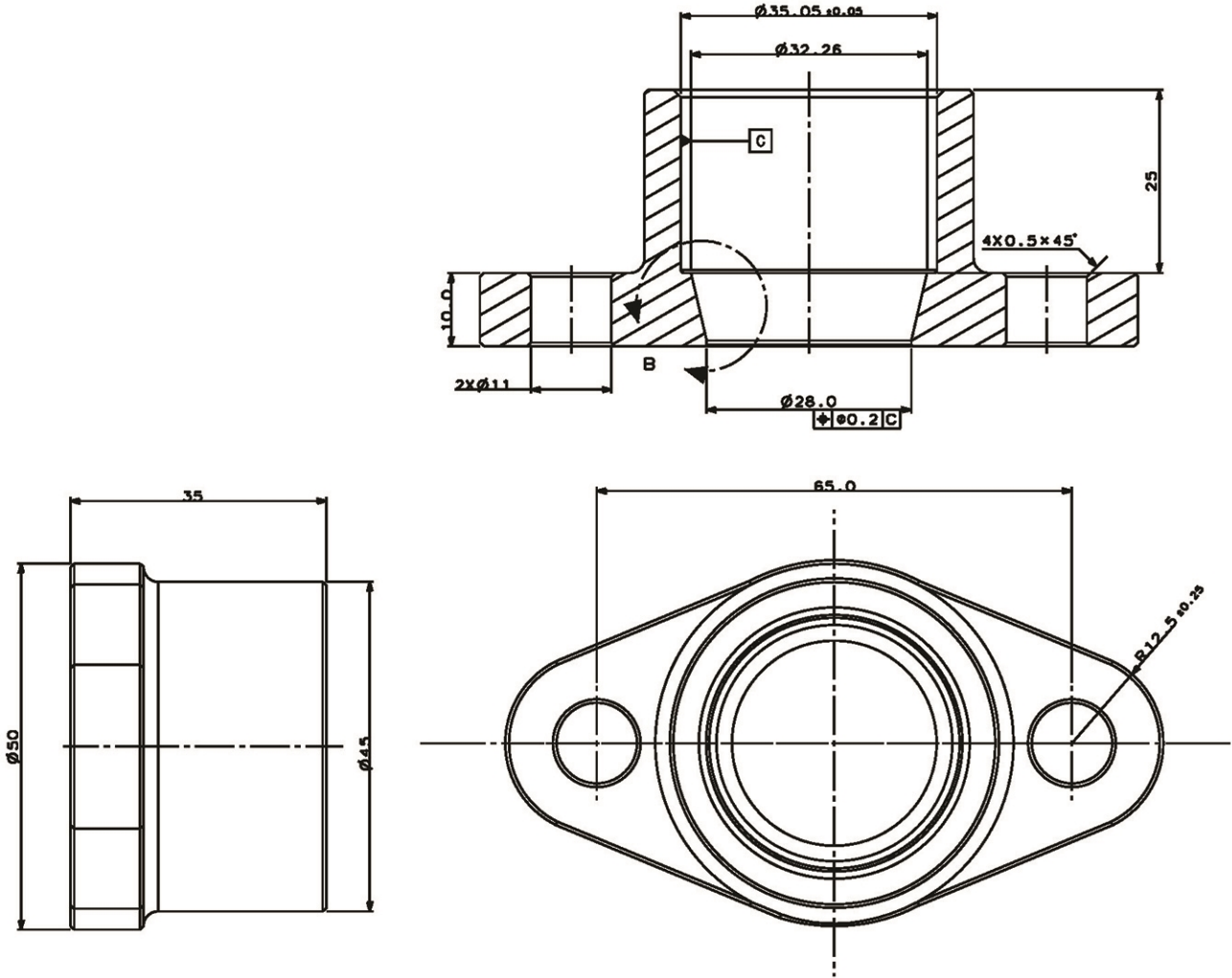
### Economizer Flange

DESCRIPTION	PART NO.	APPLIES TO	MAJOR REV	COMMENT
ECONOMIZER FLANGE, BRASS, 7/8 IN	100400	<ul style="list-style-type: none"> <li>TTS300/TG230</li> </ul>	ALL	Includes flange, fasteners, and O-ring



**Economizer Flange (continued)**

DESCRIPTION	PART NO.	APPLIES TO	MAJOR REV	COMMENT
ECONOMIZER FLANGE, BRASS, 1-5/8 IN	100450-1	<ul style="list-style-type: none"> <li>TTS350/TTS400/TTS450/TTS500/TTS700</li> <li>TGS310/TGS380/TGS390/TGS490/TGS520</li> <li>TTH375/TGH285</li> </ul>	ALL	Includes flange, fasteners, and O-ring





## Appendix C Obsolete Kit Reference

OBSOLETE KIT		OBSOLETE KIT APPLICATION	REPLACEMENT KIT	
PART NO.	DESCRIPTION		PART NO.	DESCRIPTION
100020	SOFT START	TT300 SIE	Kit no longer supported	
100020-1	SOFT START (460V)	All 460V models	100020-19	Refer to 4.14 Soft Start Assembly for the proper replacement kit
100020-2	SOFT START (575V)	All 575V models		
100020-3	SOFT START (400V)	All 400V models		
100020-4	SOFT START (380V)	All 380V models		
100020-6	SOFT START, REINFORCED UPGRADE (400V)	All reinforced 400V models		
100020-7	SOFT START, REINFORCED UPGRADE (460V)	All reinforced 460V models	100020-20	
100021	BACKPLANE ASSY	TT300 SIE	Kit no longer supported	
100035	IGV MOTOR SERVICE	TT300 (R22)	Kit no longer supported for R22 applications All others - 100035-1	
100036	SENSOR PRESSURE/TEMPERATURE SUCTION	TT300 (R22)	Kit no longer supported for R22 applications All others - 100036-1	
100037	SENSOR PRESSURE/TEMPERATURE DISCHARGE	TT300 (R22)	Kit no longer supported for R22 applications All others - 100037-1	
100037-1	PRESSURE/TEMP SENSOR, DISCHARGE	ALL COMPRESSORS	100037-2	SENSOR PRESSURE/TEMPERATURE DISCHARGE
100040-1	DC/DC CONVERTER ASSY 380V	TT300 SIE	Kit no longer supported	
100040-3	DC-DC CONVERTER ASSY (575)	All 575V Models	100379	DC-DC
100040-4	DC/DC CONVERTER ASSY (SIE) 480 V	TT300 SIE	Kit no longer supported	
100040-5	IGBT ASSY MANIFOLD COOLING TT400 C/W DC/DC CONVERTER	All 400 & 460V models	100379	DC-DC
100040-6	DC-DC CONVERTER ASSY (380V)	All 380V models	100379	DC-DC
100043-1	IGBT 310032 PARALLEL COOLING	TT300 SIE	Kit no longer supported	
100043-2	IGBT 320032 SERIAL COOLING	TT300 SIE	Kit no longer supported	

OBSOLETE KIT		OBSOLETE KIT APPLICATION	REPLACEMENT KIT	
PART NO.	DESCRIPTION		PART NO.	DESCRIPTION
100043-3	IGBT MANIFOLD COOLING	TT300 Rev:-N, -P, -C, -D, -E, -F	100521	INVERTER ASSY 613 KIT – INVERTER ASSY CONVERSION 342 TO 613 SERIES
100043-5	IGBT ASSY MANIFOLD COOLING TT400 C/W DC/DC CONVERTER	TT350, TT400, TT500 Rev: -P, -A, -C, -E 460V	100043-11 (DC-DC sold separately)	
100043-6	IGBT MANIFOLD COOLING - 575V TT 300	TT300 Rev: -P 575V	Kit no longer supported	
100043-7	IGBT MANIFOLD COOLING TT300 R22 SPLIT COOLING	TT300 (R22)	Kit no longer supported	
100043-8	IGBT ASSY - SEMIKRON SKiiP 613 TT400C 575V	TT350, TT400, TT500 Rev: -P, -A, -C, -E 380V, 400V, 460V, 575V	100043-11	INVERTER ASSY 613
100043-12	INVERTER ASSY 342	TT300, TG230 Rev: -N, -P, -C, -D, -E, -F	100521	INVERTER ASSY CONVERSION 342 to 613 SERIES
100043-14	24kHz INVERTER ASSY	TT300 (R134a)/TG230: -N, -P, -C	100521	INVERTER ASSY CONVERSION 342 to 613 SERIES
100044	BUS BAR ASSY AND CAPACITORS 6800µF (460V)	TT300, TG230 Rev: -N, -P, -C, -D, -E, -F	100044-7	BUS BAR ASSY AND CAPACITORS 6800µF (460V)
100044-1	BUS BAR ASSY AND CAPACITORS 4700µF (575V)	TT300, TG230 Rev: -N, -P, -C, -D, -E, -F, - G	100044-8	BUS BAR ASSY AND CAPACITORS 6800µF (460V)
100044-2	BUS BAR ASSY AND CAPACITORS 9000µF (400V)	TT300, TG230 Rev: -N, -P, -C, -D, -E, -F	100044-6	BUS BAR ASSY AND CAPACITORS 6800µF (460V)
100044-3	BUS BAR ASSY AND CAPACITORS 8500µF (460V)	TT350, TT400, TT500, TT700, TG310, TG390, TG520 Rev: -P, -A, -C, -E, -F	100044-12	BUS BAR ASSY AND CAPACITORS 8500µF (460V)
100044-4	BUS BAR ASSY AND CAPACITORS 11000µF (380/400V)	TT400, TG390 Rev: -P, -C, -E, -F	100044-11	BUS BAR ASSY AND CAPACITORS 11000µF 380/400 VAC
100044-5	BUS BAR ASSY AND CAPACITORS 6800µF (575V)	TT400, TG390 Rev: -P, -C, -E, -F	100044-13	BUS BAR ASSY AND CAPACITORS 6800µF (575V)
100050-1	DRIVE ASSY AND O-RING TT300 (SIE,-N)	TT300 SIE, Rev: -N	Kit no longer supported	
100050-2	IGV, DRIVE ASSY AND O-RING, R134a EXTENDED RANGE	TT300 Rev: -P, -C, -D, -E, R134a	100050-16	IGV, DRIVE ASSY AND O- RING TT300/TG230

OBSOLETE KIT		OBSOLETE KIT APPLICATION	REPLACEMENT KIT	
PART NO.	DESCRIPTION		PART NO.	DESCRIPTION
100050-3	IGV, DRIVE ASSY AND O-RING - TT300 RETROFIT	TT300, TG230 Rev: -P, -C, -D, -E	100050-16	IGV, DRIVE ASSY AND O-RING - TT300/ TG230
100050-5	IGV, DRIVE ASSY AND O-RING - R22 RETROFIT	TT300 R22 Rev: -P	Kit no longer supported	
100050-6	IGV, DRIVE ASSY AND O-RING - TT400-P	TT400 Rev: -P	Kit no longer supported	
100050-7	IGV, HOUSING ASSY AND O-RING, TT400C	TT400 Rev: -C, -E, R134a	100050-17	IGV, DRIVE ASSY AND O-RING TT400/TG390
100050-8	IGV, HOUSING ASSY AND O-RING-TT500	TT500 Rev: -A, -E, R134a	100050-18	IGV, DRIVE ASSY AND O-RING TT700/TG520
100050-9	IGV, HOUSING ASSY TT350	TT350 Rev: -A, -E, R134a	100050-15	IGV, DRIVE ASSY AND O-RING TT350/TG310
100050-11	IGV, DRIVE ASSY AND O-RING - TT350 RETROFIT	TT350 Rev: -A, -E, R134a	100050-15	IGV, DRIVE ASSY AND O-RING - TT350/ TG310
100050-12	IGV, DRIVE ASSY AND O-RING - TT400 -P RETROFIT	TT400 Rev: -P	Kit no longer supported	
100050-13	IGV, DRIVE ASSY AND O-RING - TT400 RETROFIT	TT400 Rev: -C, -E	100050-17	IGV, DRIVE ASSY AND O-RING TT400/ TG390
100050-14	IGV, DRIVE ASSY AND O-RING - TT500 RETROFIT	TT500 Rev: -A, -E	100050-18	IGV, DRIVE ASSY AND O-RING TT700/ TG520
100050-24	IGV, DRIVE ASSY AND O-RING TGS490	TGS490 Rev: -F, -H	100050-25	IGV, DRIVE ASSY AND O-RING TGS490
100052	O-RING, END CAP ASSY	TT300 R22	Kit no longer supported for R22 applications All others - 100352	
100052-1	O-RING, SERVICE SIDE SMALL O-RINGS	TT300 R22	Kit no longer supported for R22 applications All others - 100052-2	
100053-2	COVER, CAPACITOR ASSY (BLACK PAINTED) TT300	TT300 Rev: -N, -P, -C	100053-3	COVER, CAPACITOR ASSY (BLACK)
100053-5	CAPACITOR COVER ASSY	TT300 Rev: -N, -P, -C	100053-6	COVER, CAPACITOR ASSY (GREEN)
100054-2	COVER, TOP ASSY (BLACK - PAINTED) TT300	TT300 Rev: -N, -P, -C	100054-3	COVER, TOP ASSY (BLACK)
100054-5	COVER, TOP ASSY STANDARD GREEN	TT300 Rev: -N, -P, -C	100054-6	COVER, TOP ASSY GREEN
100055-2	COVER, SERVICE SIDE ASSY (BLACK PAINTED) TT300	TT300 Rev: -N, -P, -C	100055-3	COVER, SERVICE SIDE ASSY (BLACK)

OBSOLETE KIT		OBSOLETE KIT APPLICATION	REPLACEMENT KIT	
PART NO.	DESCRIPTION		PART NO.	DESCRIPTION
100055-5	COVER, SERVICE SIDE ASSY - (STANDARD GREEN)	TT300 Rev: -N, -P, -C	100055-6	COVER, SERVICE SIDE ASSY - GREEN
100056-2	COVER, MAINS INPUT ASSY (CONDUCTIVE PAINTED BLACK) TT300	TT300 Rev: -N, -P, -C	100056-3	COVER, MAINS INPUT ASSY (BLACK)
100056-5	COVER, MAINS INPUT ASSY (STANDARD GREEN)	TT300 Rev: -N, -P, -C	100056-6	COVER, MAINS INPUT ASSY (GREEN)
100058-2	CABLE HARNESS-ASSY,COMPRESSOR- INTERFACE (SIE)	TT300 SIE	Kit no longer supported	
100062	CABLE HARNESS SOFTSTART AC/DC (SIE) TT300	TT300 SIE	Kit no longer supported	
100062-3	CABLE HARNESS SOFTSTART AC/DC - TT350/400/700	TT350/400/700 Rev: -P, -A, -C, -E, -F	100381	CABLE HARNESS SOFTSTART AC/DC
100062-4	CABLE HARNESS SOFTSTART AC/DC (TT300/TG230)	TT300/TG230 Rev: -N, -P, -C, -D, -E, -F, -G	100380	CABLE HARNESS - AC/DC - TT300
100076-2	PCB ASSY COMPRESSOR INT CONNECTOR (SIE)	TT300 SIE	Kit no longer supported	
100150	COOLING VALVES ASSY TT300/R22	TT300 R22	Kit no longer supported	
100150-1	COOLING VALVES ASSY TT400-P	TT400 Rev: -P	100281-4	COOLING VALVES ASSY TT400 380/400/ 460
100150-3	COOLING VALVES ASSY R134a, TT350 & TT500	TT350, TT500 Rev: -A, -E	TT350-100281-5 TT500-100281-3	COOLING VALVES ASSY TT350 400/460V, TT500
100150-4	COOLING VALVES ASSY R134a, TT400C	TT400 Rev: -C, -E, 380V, 400V, 460V	100281-4	COOLING VALVES ASSY TT400 380/400/ 460
100150-5	COOLING VALVES ASS 134a, TT400C 575C	TT400 Rev: -C, -E, 575V	100281-1	COOLING VALVES ASSEMBLY TT400 (575V), TG310
100150-6	KIT, COOLING VALVES ASSY	TTS400 575V TGS310	100281-1	COOLING VALVES ASSY
100150-7	KIT, COOLING VALVES ASSY R134a, TT350, 380V	TT350 Rev: -A, -E, 380V	100281-5	COOLING VALVES ASSY TT350 380V
100150-8	COOLING VALVES ASSY TT300	TTS300 TGS230	100281-2	COOLING VALVES ASSY TT300
100150-9	COOLING VALVES ASSY	TTS500 TTS700 TGS520	100281-3	COOLING VALVES ASSY
100150-10	COOLING VALVES ASSY TT400	TTS400 380V, 400V & 460V TGS390	100281-4	COOLING VALVES ASSY TT400

OBSOLETE KIT		OBSOLETE KIT APPLICATION	REPLACEMENT KIT	
PART NO.	DESCRIPTION		PART NO.	DESCRIPTION
100150-11	COOLING VALVES ASSY	TTS350 TGS490 TTH375 TGH285	100281-5	COOLING VALVES ASSY
100150-12	COOLING VALVES ASSY	TTH375 TGH285	100281-5	COOLING VALVES ASSY
100151	SUCTION FLANGE (STEEL)	TT300, TT350, TT400 Ref: R134a	100151-1	SUCTION FLANGE (STEEL)
100153	DISCHARGE FLANGE (STEEL)	TT350, TT400, TG310, TG390	100153-1	DISCHARGE FLANGE (STEEL)
100155	O-RING SUCTION PORT	TT300 R22	Kit no longer supported for R22 applications All others - 100051-1	
100169	ADAPTER SCREEN FITTING ASSY	TT300, TT350, TT400, TT500 Rev: -E	100169-1	COMPRESSOR COOLING ADAPTER WITH STRAINER
100186	STRAINER, COOLING LINE ADAPTER, SCREEN FITTING	TT300, TT350, TT400, TT500 Rev: -E	100186-1	STRAINER
100196-1	CAVITY TEMP SENSOR TT300,TT350 & TT400	TT300, TT350, TT400 Rev: -E	100196-3	CAVITY TEMP SENSOR
100223-4	IGV HOUSING	TT300/TT350/ TT400/TG230/TG390 Retrofit compressors	100223	IGV HOUSING
100224	IGV HOUSING, TT300 (SIE, -N, R22)	TT300 SIE, Rev: -N	Kit no longer supported	
100224-4	IGV HOUSING, TT300 (SIE, -N, R22)	TT300 SIE, Rev: -N	Kit no longer supported	
100226	IGV THROAT, TT300 (SIE, -N, -P-6%)	SIE, Rev: -N	Kit no longer supported	
100229-4	IGV HOUSING TT500/TT700/TG520	TT500/TT700/TG520 Retrofit compressors	100229	IGV HOUSING TT500/TT700/ TG520
100230	IGV THROAT, TT400P	TT400 Rev: -P	Kit no longer supported	
100233	PLUNGER ASSY, SOLENOID	Use with TT300 R22/ TT400 Rev: -P	Kit no longer supported for R22 applications All others - 100280	
100234	SOFT START COOLING FAN ASSY	All models	100373	COOLING FAN AND ADAPTOR ASSY
100235	PLUNGER ASSY, SOLENOID	All models	100280	PLUNGER ASSY, SOLENOID
100237	ORIFICE BODY, COOLING 1.5MM	TT400 Rev: -P	100240	ORIFICE BODY, COOLING 1.6MM
100241	O-RING SOLENOID ORIFICE	TT300 R22	Kit no longer supported	
100250	IGV THROAT, TGS490	TGS490 Rev: -F, -H	100261	IGV THROAT, TGS490
100272	COMPRESSOR CONTROLLER (SIE)	TT300 SIE	Kit no longer supported	

OBSOLETE KIT		OBSOLETE KIT APPLICATION	REPLACEMENT KIT	
PART NO.	DESCRIPTION		PART NO.	DESCRIPTION
100293	HERMETIC FEEDTHROUGH FRONT BEARING - 4 PIN	TT300 R22	Kit no longer supported for R22 applications All others - 100293-1	
100294	HERMETIC FEEDTHROUGH REAR BEARING - 6 PIN	TT300 R22	Kit no longer supported for R22 applications All others - 100294-1	
100295	HERMETIC FEEDTHROUGH BEARING - 9 PIN	TT300 R22	Kit no longer supported for R22 applications All others - 100295-1	
100309	HEATSINK, COOLING MANIFOLD SCR ASSY	TT300 Rev: -N, -P, -A, -C, -D, -E, R134a	100309-11	HEATSINK COOLING MANIFOLD SCR ASSY
100309-1	HEATSINK, COOLING MANIFOLD SCR ASSY (TT400)	TT350, TT400, TT500 Rev: -P, -A, -C, -E	100309-13	HEATSINK COOLING MANIFOLD SCR ASSY
100309-2	HEATSINK, COOLING MANIFOLD SCR ASSY	TT300 R22	Kit no longer supported	
100309-3	DIODE HEATSINK, SERIAL COOLING (SIE)	TT300 SIE	Kit no longer supported	
100309-4	DIODE HEATSINK, PARALLEL COOLING (SIE)	TT300 SIE	Kit no longer supported	
100309-5	HEATSINK COOLING MANIFOLD SCR ASSY	TTS350, TTS400, TTS500, TTS700, TGS310, TGS390, TGS490, TGS520 Rev: -P, -A, -C, -E, -F	100309-13	HEATSINK, COOLING MANIFOLD SCR ASSY (TT350) NO SENSOR
100309-6	HEATSINK COOLING MANIFOLD SCR ASSY	TTS300/TGS230 Rev: -N, -P, -C, -D, -E, -F, -G	100309-11	HEATSINK, COOLING MANIFOLD SCR ASSY
100310	O-RING, IGBT ASSY	TT300 R22	Kit no longer supported for R22 applications All others - 100310-2	
100312	HERMETIC FEEDTHROUGH HIGH POWER NEOPRENE	TT300 R22	Kit no longer supported for R22 applications All others - 100383	
100312-1	HERMETIC FEEDTHROUGH HIGH POWER EPDM	All models	Kit no longer supported for R22 applications All others - 100383	
100314	COVER PLATE ASSY	TT300 R22	Kit no longer supported for R22 applications All others - 100314-2	

OBSOLETE KIT		OBSOLETE KIT APPLICATION	REPLACEMENT KIT	
PART NO.	DESCRIPTION		PART NO.	DESCRIPTION
100315	O-RING, COVER PLATE ASSY	TT300 R22	Kit no longer supported for R22 applications All others - 100315-1	
100321	HERMETIC FEEDTHROUGH IGV 4 PIN	TT300 R22	Kit no longer supported R22 All others - 100321-1	
100322	CABLE HARNESS COMPRESSOR CONTROLLER	All models	100322-5	CABLE HARNESS COMPRESSOR CONTROLLER
100322-2	CABLE HARNESS COMPRESSOR CONTROLLER (SIE)	TT300 SIE	Kit no longer supported	
100322-3	CABLE HARNESS COMPRESSOR CONTROLLER (SIE)	TT300 SIE	Kit no longer supported	
100323-1	CABLE HARNESS COMPRESSOR DC SUPPLY(SIE)	TT300 SIE	Kit no longer supported	
100324	END CAP ASSY	TT300 R22	Kit no longer supported for R22 applications All others - 100324-2	
100326-1	CABLE HARNESS DC BUS TEST LEAD (SIE)	TT300 SIE	Kit no longer supported	
100327	O-RING COOLING PORTS, SUCTION, DISCHARGE, ECONOMIZER, MOTORCOOLING	TT300 R22	Kit no longer supported for R22 applications All others - 100329	
100373	COOLING FAN AND ADAPTOR ASSY	All models	100373-1	COOLING FAN AND ADAPTOR ASSY
100375	HARMONIC RESISTOR PLUG	All models	Kit no longer supported	
100402	SUCTION FLANGE KIT (BRASS)	TT300, TT350, TT400 R134a	100402-1	SUCTION FLANGE (BRASS)
100414	ECONOMIZER VALVE KIT 7/8"	TT300 R134a	Kit no longer supported	
100419	PLUNGER ASSEMBLY, NON-RETURN VALVE	TT300	Kit no longer supported	
100420	FUSE 4 AMP (SIE) (TT300)	TT300 SIE	Kit no longer supported	
100450	ECONOMIZER FLANGE KIT 1 3/8" (BRASS)	All except TT300 and TG230	100450-1	ECONOMIZER FLANGE 1 3/8" (BRASS)
100455	SUCTION FLANGE 3 5/8" (BRASS)	TT500, TT700, TG520	100378	SUCTION BRASS FLANGE FOR 3-5/8" COPPER PIPE TT500 (EPDM O-ring)
100472	SUCTION STRAINER KIT	All models	Kit no longer supported	
100514	CONVERSION-SIE TO THE CURRENT ELECTRONICS (400V)	All 400V SIE models	Kit no longer supported	

OBSOLETE KIT		OBSOLETE KIT APPLICATION	REPLACEMENT KIT	
PART NO.	DESCRIPTION		PART NO.	DESCRIPTION
100515	CONVERSION-SIE TO THE CURRENT ELECTRONICS (400V)	All 400V SIE models	Kit no longer supported	
100516	CONVERSION-SIE TO THE CURRENT ELECTRONICS (460V)	All 460V SIE models	Kit no longer supported	
100517	CONVERSION-SIE TO THE CURRENT ELECTRONICS (460V)	All 460V SIE models	Kit no longer supported	
100580	PORTABLE TRAINING SIMULATOR	All models	N/A	Contact Applications & Product Support team to request a Simulator
100703-1	INTERSTAGE PIPE	TTH375/TGH285 Rev: -F, -H	Order Kit 100703-3 and 100706-3	
100706-1	SECOND STAGE HOUSING	TTH375/TGH285 Rev: -F, -H	Order Kit 100703-3 and 100706-3	
901453	LINE REACTOR 140A - 10%	TTS300/TGS230	901832	LINE REACTOR 240A - 5%
901666	EMI FILTER (CE) 185A	All models	901866	EMI/EMC FILTER (CE) 322A
901974	LINE REACTOR 140A - 5%	TTS300/TGS230	901832	LINE REACTOR 240A - 5%
901975	LINE REACTOR 180A - 5%	All models	901832	LINE REACTOR 240A - 5%





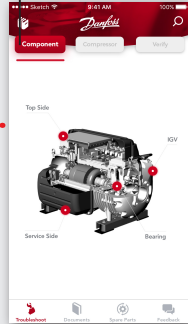
# Quick access to Danfoss Turbocor® compressor troubleshooting.

The new version of the **Danfoss TurboTool® 2.0** app for all your full service Danfoss Turbocor® compressor needs.

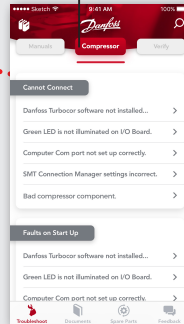
**24/7**  
Access to Danfoss Turbocor® compressor troubleshooting on site

**Troubleshoot**

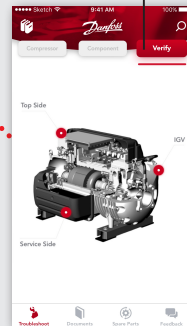
The TurboTool® app makes it easy for technicians to troubleshoot issues on Danfoss Turbocor® compressors.



The user can select from a list of symptoms in the app that match the problems exhibited by the compressor being serviced. The app will then list potential causes, solutions to the problem, and service literature for reference for further information.

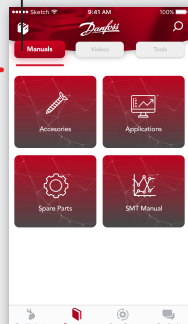


The app provides the correct operating parameters for key components; no need to keep reference documents on hand.

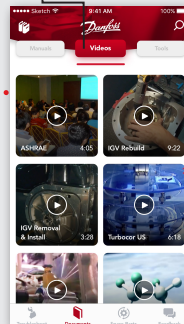


**Documents & Video**

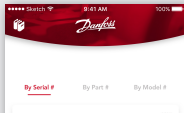
You no longer need to keep hundreds of pages of parts catalogs and training manuals. With the app, all of this information is at your fingertips on your smart device.



With the app, you can access videos made by Danfoss Turbocor® that demonstrate how to remove, install, and rebuild key components on Danfoss Turbocor® compressors.



**Spare Parts**



TurboTool® helps you to quickly identify the required spare parts. A quick scan of the compressor serial # using your smartphone camera or by entering the part # or model #, and the app will display potential spare parts kits.

Download the 2.0 app today!



Scan to download app



[www.turbocor.danfoss.com](http://www.turbocor.danfoss.com) | **TURBOCOR®**

**THIS PAGE INTENTIONALLY LEFT BLANK**

ENGINEERING  
TOMORROW



## Boost your Turbocor® knowledge

The Danfoss Turbocor® Training Program - Service, Maintenance, and Troubleshooting

- Online and face-to-face training modules
- Discover the advantages of oil-free technology
- Go hands-on with a Turbocor compressor
- Master the Turbocor monitoring software
- Interact directly with Danfoss experts



**78**

years of combined  
service and  
applications  
knowledge

Highly qualified and field-experienced instructors of the **Danfoss Turbocor® Learning Center** will provide you with a high level of training.

Attendees will be trained in three key areas of the Turbocor® program that includes:

- Practical classroom courses
- Hands-on compressor demonstrations
- Service Monitoring Tools software applications



Join us for the next **Turbocor® Training** class. Scan the code to see our schedule and **register today!**

[www.turbocor.danfoss.com](http://www.turbocor.danfoss.com) | **TURBOCOR®**

## Danfoss Commercial Compressors

is a worldwide manufacturer of compressors and condensing units for refrigeration and HVAC applications. With a wide range of high quality and innovative products, we help your company to find the best possible energy efficient solution that respects the environment and reduces the total life cycle costs.

We have over 40 years within the development of hermetic compressors which has brought us amongst the global leaders in our business, and has positioned us as distinct variable speed technology specialists. Today we operate from engineering and manufacturing facilities spanning across three continents.



**TTS Compressors**



**Highlift Compressors**



**Danfoss TurboCOR Compressors**



**VTX1600 Compressors**



**Highlift Compressors**



**TGS Compressors**

Our products can be found in a variety of applications such as rooftops, chillers, residential air conditioners, heatpumps, coldrooms, supermarkets, milk tank cooling and industrial processes.

<http://turboCOR.danfoss.com>

Danfoss LLC 1769 E. Paul Dirac Drive, Tallahassee, FL, 32310 USA | +1 850-504 4800

Danfoss can accept no responsibility for possible error in catalogs, brochures, and other printed material. Danfoss reserves the right to alter its products without notice. This also applies to products already on order provided that such alterations can be made without subsequential changes being necessary in specifications already agreed.

All trademarks in this material are property of the respective companies. Danfoss and the Danfoss logotype are trademarks of Danfoss A/S. All rights reserved.