

Bulletin | Danfoss Turbocor Compressors

# Customer Notification

B-CN-246-EN REV A

03/10/2022

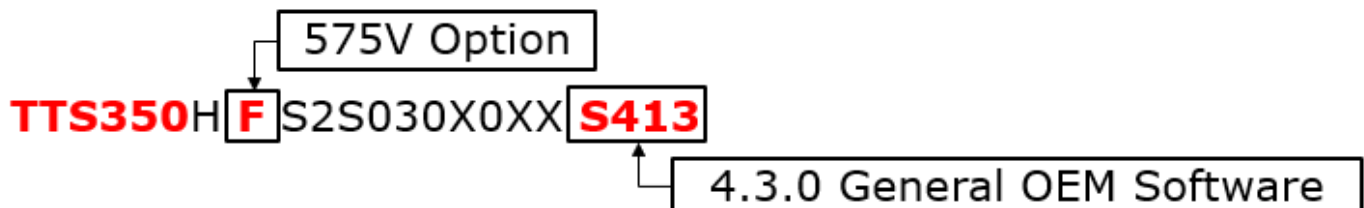
**SUBJECT: Turbocor 575V Compressor Options**

## Purpose

The purpose of this bulletin is to inform Danfoss Turbocor® customers of **a new voltage option 575V for all TTS/TGS/TTH/TGH compressors**. Additionally, there are new 4.3.0 software configurations released alongside this product update.



Beginning **March 7, 2022**, Major Revision "H" and later TTS/TGS/TTH/TGH series compressors manufactured in Tallahassee will be available for order with voltage option "**F**" (575V) with updated 4.3.0 software. Customers may select the 4.3.0 General OEM software option "**S413**" for characters 19-22 in the TypeCode when ordering. For customer specific software options, please refer to a separate bulletin or consult with your Key Account Manager.

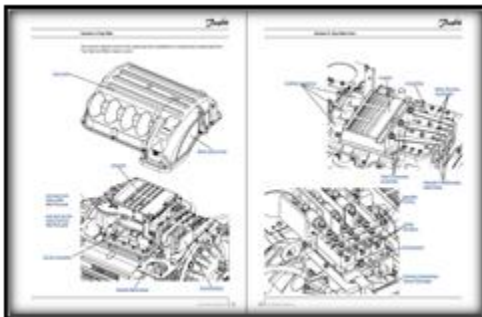


This product update will only be compatible with 4.3.0 software configuration S413 and later. Previous 4.3.0 configuration S404 and all other customer specific 4.3.0 configurations prior to S413 will be removed from the variant configuration system as older software is incompatible with the new 575V option. Specific software configuration details and BMCC part numbers will be communicated in a separate bulletin.

## Summary

The rollout of the 575V option across all TTS/TGS/TTH/TGH compressors now aligns our product portfolio to offer a wide range of voltage options from 380V-575V. New 575V options will now allow customers to have flexibility to select the compressor they need without requiring separate step-down transformers to accommodate compressors in 575V regions. Please note that 575V compressors are rated to ETL standards only and will not have CE certification.

Voltage Options	380V	400V	460V	575V
TTS300 / TGS230	✓	✓	✓	✓
TTS350 / TGS310	✓	✓	✓	New
TGS490	✓	✓	✓	New
TTS400 / TGS390	✓	✓	✓	✓
TTS700 / TGS520	✓	✓	✓	New
TTH375 / TGH285	✓	✓	✓	New



The new 575V compressors are now available for ordering by Turbocor<sup>®</sup> OEMs. The standard lead time for these new compressors is eight (8) weeks initially.

Danfoss Turbocor<sup>®</sup> Technical Publications have been updated to include the new high temperature application compressors and can be found on our website ([www.turbocoroem.com](http://www.turbocoroem.com)).

## Action Required

---

Customers wishing to purchase the new 575V compressors can contact their Key Account Manager to determine pricing. Customers should visit [dtconfig.danfoss.com](https://dtconfig.danfoss.com) to configure their compressor according to their specifications. With compressor pricing and Type Code defined, customers can place an order with Danfoss Customer Service at [turbocor.cs.na@danfoss.com](mailto:turbocor.cs.na@danfoss.com).

Please refer to bulletin B-CN-181-EN for 4.3.0 firmware containing compressor configuration options and spare part BMCC part numbers.

As a result of the 575V product launch, many of the manuals and guides provided by DTC have been modified. These include:

- M-AP-001-EN Applications and Installation Manual Rev S
- M-SP-001-EN TT and TG Spare Parts Manual Rev F.6

Please reference these new manuals going forward for all TTS/TGS/TTH/TGH compressors.

## Need Assistance

---

For more information, please contact your Key Account Manager or our Product Support group at [turbocor.ps.na@danfoss.com](mailto:turbocor.ps.na@danfoss.com).