

Customer Notification

B-CN-357-EN REV A

February 25, 2025

SUBJECT: TGS Series Resonator Product Release

Purpose

This is to inform our customers that **we now offer a discharge Resonator for our TGS Series Compressors** which utilize HFO-1234ze and R515B refrigerants. The Resonator is an accessory option that reduces sound power levels for noise-sensitive applications. It has been qualified and optimized for the TGS380 and TGS490 compressor models; however, it is also compatible with all TGS Series compressors.

The Resonator is designed to connect directly to the compressor discharge port. In addition, to the new Resonator accessory kit, a new hardware kit and a new Discharge Flange kit are also available. The new Flange can connect to the downstream side of the Resonator or can be used as a standalone discharge flange in cases where a Resonator is not used.

NOTE: The Resonator is designed for use only with Danfoss Turbocor TGS Series Compressors using low density HFO-1234ze and R515B refrigerant. The Resonator is NOT compatible for use with TGH285 or TT Series compressors using R134a or R513A due to differences in the refrigerant velocities.

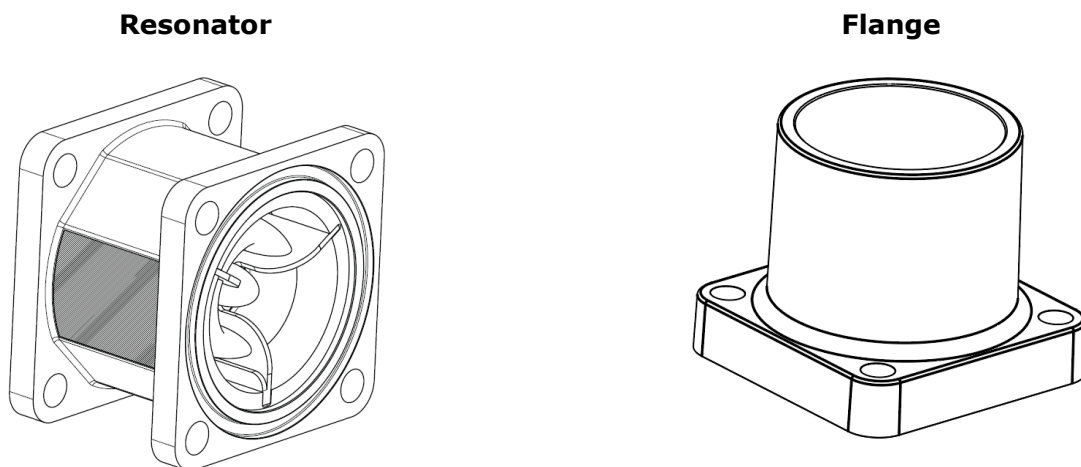


Figure 1 – Resonator and Flange Images

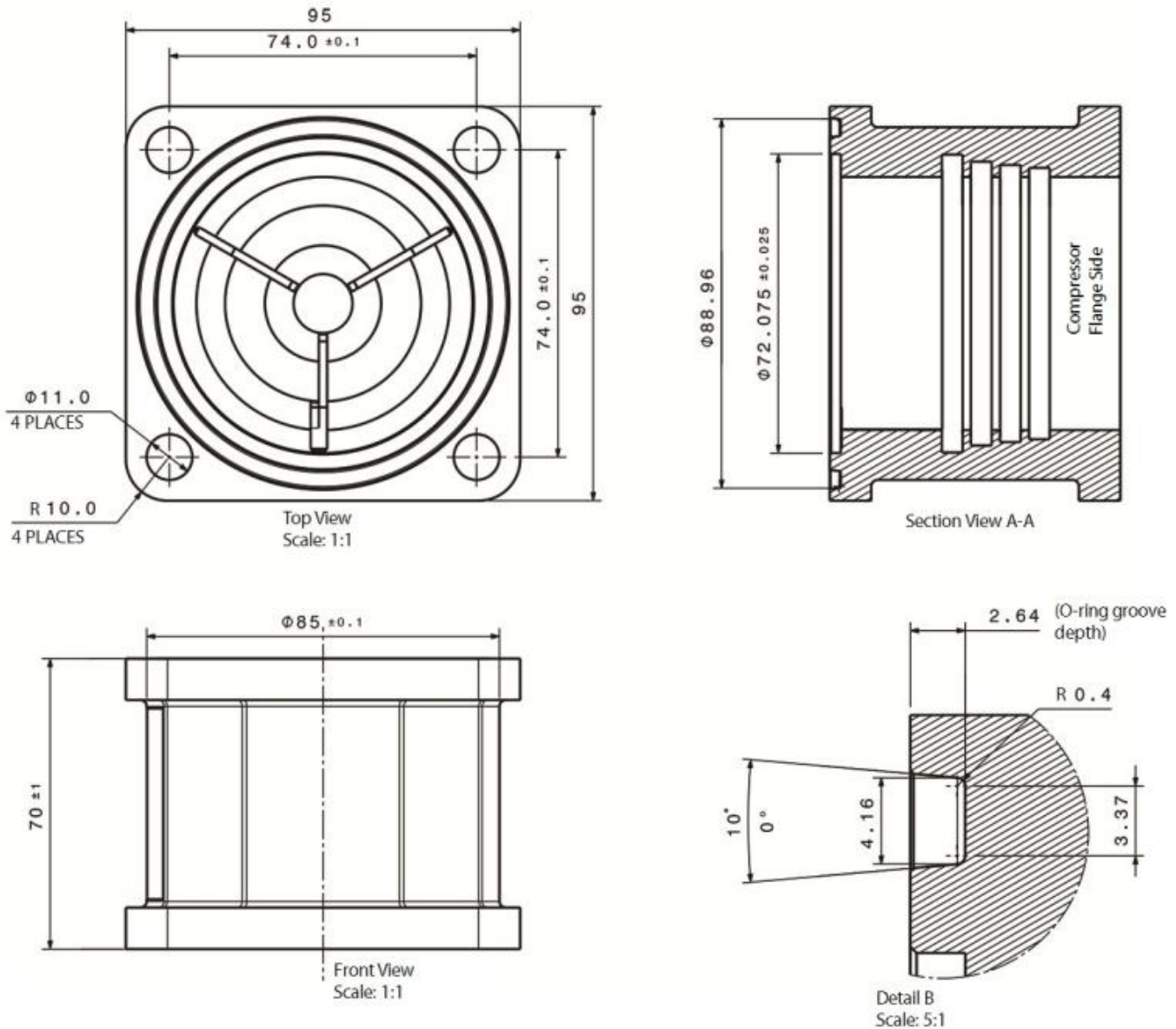


Figure 2 – Resonator Physical Dimensions

Classified as Business

Danfoss LLC • 1769 E Paul Dirac Drive • Tallahassee, FL 32310 USA • turbocor.ps.na@danfoss.com • <http://turbocor.danfoss.com> • Phone +1 850 504 4800

Danfoss LLC can accept no responsibility for possible errors in catalogues, brochures, and other printed material. Danfoss LLC reserves the right to alter its product without notice. This also applies to products already on order provided that such alterations can be made without sub-sequential changes being necessary in specifications already agreed. All trademarks in this material are the property of the respective companies. Danfoss and the Danfoss logotype are trademarks of Danfoss A/S. All rights reserved.

Action Required

Refer to the table below when ordering the Resonator and Flange kits.

Part Number	Description	Notes
199K0004	RESONATOR + HARDWARE	Includes Resonator, fasteners, and O-rings.
199K0016	HARDWARE (FOR RESONATOR/DISCHARGE FLANGE)	Includes fasteners and O-rings.
199K0017	DISCHARGE FLANGE, BRASS (FOR RESONATOR USE)	Includes flange, fasteners, and O-rings.
199K0032	RESONATOR, NO HARDWARE	Includes Resonator and O-rings only (Fasteners and hardware not included).

Need Assistance

For further questions, please contact your Key Account Manager or our Product Support group at turbocor.ps.na@danfoss.com or turbocor.ps.eu@danfoss.com for inquiries within Europe.

Classified as Business

Danfoss LLC • 1769 E Paul Dirac Drive • Tallahassee, FL 32310 USA • turbocor.ps.na@danfoss.com • <http://turbocor.danfoss.com> • Phone +1 850 504 4800

Danfoss LLC can accept no responsibility for possible errors in catalogues, brochures, and other printed material. Danfoss LLC reserves the right to alter its product without notice. This also applies to products already on order provided that such alterations can be made without sub-sequential changes being necessary in specifications already agreed. All trademarks in this material are the property of the respective companies. Danfoss and the Danfoss logotype are trademarks of Danfoss A/S. All rights reserved.