


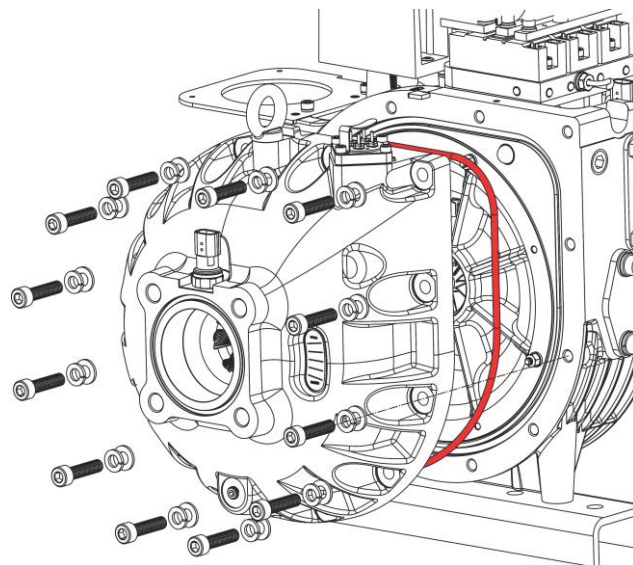
IGV DRIVE ASSEMBLY

100050-15, 16, 17, 18, 19, 25, & 26.

 <p>Installation and servicing of Danfoss Turbocor® compressors by qualified and product trained personnel only. Follow these instructions and sound refrigeration/electrical/servicing practices relating to installation, commissioning, maintenance, and service.</p>			
<p>Consult the appropriate Danfoss Turbocor Compressors Inc. (DTC) Service Manual on turbocoroem.com for detailed service instructions.</p>	<p>Never power compressor without covers in place and secured.</p> <p>Removing the mains input cover will expose you to a voltage hazard of up to 575V. Ensure the mains input power is off and locked out before removing cover.</p> <p>Before removing top cover, wait at least 20 minutes after isolating AC power to allow the high voltage capacitors to discharge.</p>	<p>Always wear appropriately rated safety equipment when working around equipment and/or components energized with high voltage.</p> <p>This equipment contains hazardous voltages that can cause serious injury or death.</p>	<p>Recover all refrigerant from compressor in accordance with local codes and ensure pressure is fully vented before the removal of refrigerant containing components.</p>

1 - Introduction

IGV DRIVE ASSEMBLY Removal and installation.



This kit contains the IGV Housing Assembly as well as the required O-rings and fasteners. Please refer to our Service Manual for details regarding the replacement of the IGV Housing Assembly.

We have made the **TTS/TGS/TTH/TGH Service Manual** available to anyone. To access the manual, you may scan the applicable QR code below or you may go to our DTC website at www.turbocoroem.com. At the top of the page there is a pull-down menu called "Manuals". Click this menu and select the appropriate service manual.

Refer to the applicable QR code below to download the TT Series Service Manual.

English



Chinese



2 - IGV DRIVE ASSEMBLY Removal Instruction:

1. Isolate compressor power.
2. Isolate the compressor and recover the refrigerant according to industry standards.
3. Remove the IGV Drive Assembly.
4. Discard the old O-rings and fasteners.

3 - IGV DRIVE ASSEMBLY Installation Instruction:

1. Install the new IGV Drive Assembly and new O-ring. Be sure to use the new fasteners.
2. Leak test and evacuate compressor in accordance with standard industry practices.
3. Test run the compressor to verify proper operation and movement of the IGV.
4. Return the compressor to normal operation.

4 - Kit Contents

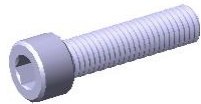



Note: Any part numbers included in the kit contents are internal part numbers only. Please refer to our Spare Parts Manuals for any kit part numbers.

Kit numbers	Compressor models	
100050-15, 17, 18, 19, 24, 25, & 26	TTS350, TTS400, TTS450, TTS500, TTS700, TGS310, TGS380, TTS390, TGS490, TGS520, TTH375, & TGS285	
QTY	Part(s) Description	Picture(s)
1	IGV DRIVE ASSEMBLY	
1	O-RING – IGV HOUSING – 901857	

1	O-RING – ECONOMIZER – 901852	
1	O-RING – DISHCHARGE – 901853	
1	O-RING – SUCTION – 901854	
12	SCREW, M10 – 902847	
12	WASHER, M10 FLAT – 902836	
12	WASHER, M10 SPLIT LOCK – 902839	
2	LUBRICATION-SUPER-O-LUBE-2G	

Kit numbers	Compressor models	
100050-16	TTS300/TGS230	
QTY	Part(s) Description	Picture(s)
1	IGV DRIVE ASSEMBLY	
1	O-RING – IGV HOUSING – 901857	
1	O-RING – ECONOMIZER – 901851	
1	O-RING – DISHCHARGE – 901853	
1	O-RING – SUCTION – 901854	



12	SCREW, M10 – 902847	
12	WASHER, M10 FLAT – 902836	
12	WASHER, M10 SPLIT LOCK – 902839	
2	LUBRICATION-SUPER-O-LUBE-2G	

5 - List of Changes

Revision	Date	Description of Change
Q	8/18/2022	Added kit 100050-26 Removed obsoleted kit 100050-24

Danfoss LLC can accept no responsibility for possible errors in catalogues, brochures, and other printed material. Danfoss reserves the right to alter its products without notice. This also applies to products already on order provided that such alterations can be made without subsequential changes being necessary in specifications already agreed. All trademarks in this material are property of the respective companies. Danfoss and the Danfoss logotype are trademarks of Danfoss A/S. All rights reserved.