

Customer Notification

B-CN-344-EN REV A

January 29, 2024

SUBJECT: ETL Nameplate Removal

Purpose

This is to inform Danfoss customers of a change regarding the ETL Nameplate installed on TT Series Compressors. The ETL Nameplate (refer to Figure 1) will be phased out for compressors built in the Tallahassee factory within the next six (6) weeks. The phase out of this ETL Nameplate has already been implemented for compressors built in the Haiyan factory.

The use of this nameplate is not required, as all the required agency information is already included on the primary compressor nameplate (refer to Figure 2).

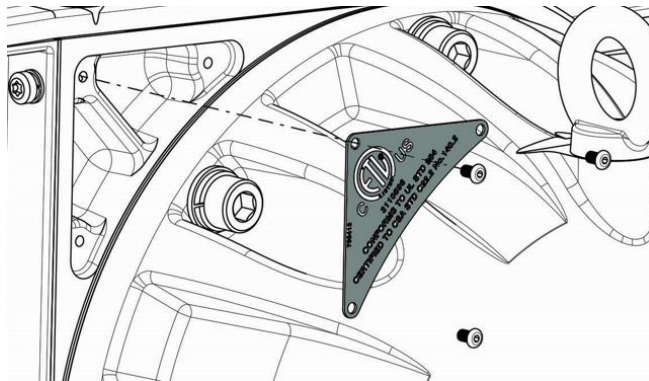


Figure 1 – ETL Nameplate



Figure 2 – Main Compressor Nameplate

Summary

In approximately six (6) weeks, our Tallahassee production facility will no longer be installing the ETL Nameplate on compressors. All of the required information is already included on our Main Compressor Nameplate. This change will align the Tallahassee-built compressors with the ones built in Haiyan.

Action Required

No action required.

Need Assistance

For further questions, please contact your Key Account Manager or our Product Support group at turbocor.ps.na@danfoss.com or turbocor.ps.eu@danfoss.com for inquiries within Europe.

Classified as Business

Danfoss LLC • 1769 E Paul Dirac Drive • Tallahassee, FL 32310 USA • turbocor.ps.na@danfoss.com • <http://turbocor.danfoss.com> • Phone +1 850 504 4800

Danfoss LLC can accept no responsibility for possible errors in catalogues, brochures, and other printed material. Danfoss LLC reserves the right to alter its product without notice. This also applies to products already on order provided that such alterations can be made without sub-sequential changes being necessary in specifications already agreed. All trademarks in this material are property of the respective companies. Danfoss and the Danfoss logotype are trademarks of Danfoss A/S. All rights reserved.